

# Technical information

## Thermoplastic tube clamping system

The tube clamping system is characterised by the attractive design and a special reducing sleeve concept.

This unique concept and the associated clamping of different diameters and tube forms permit a flexibility never before achieved.

By simply exchanging a sleeve an existing tubular construction can be transformed into one with a different diameter or cross-section.

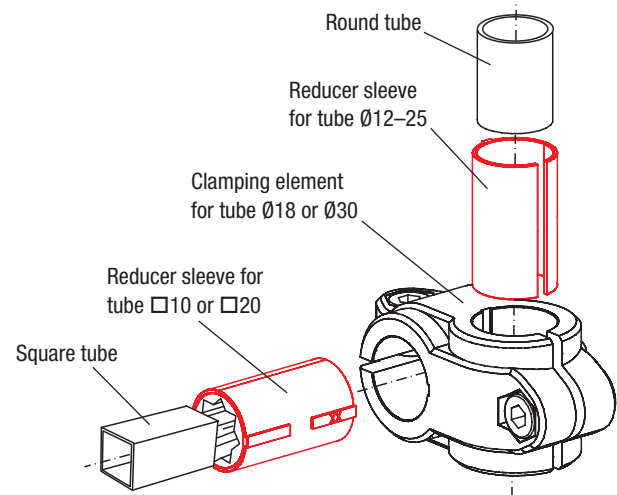
### Benefits:

- Only one clamping element per construction type.
- Tube reduction (from  $\text{Ø}30\text{--}12$  or  $25 \times 25\text{--}10 \times 10$ ) with different reducer sleeves for round or square tubes.
- Tube diameter marked on each reducer sleeve.
- Locking tab on the sleeves prevents rotation in the clamping element.

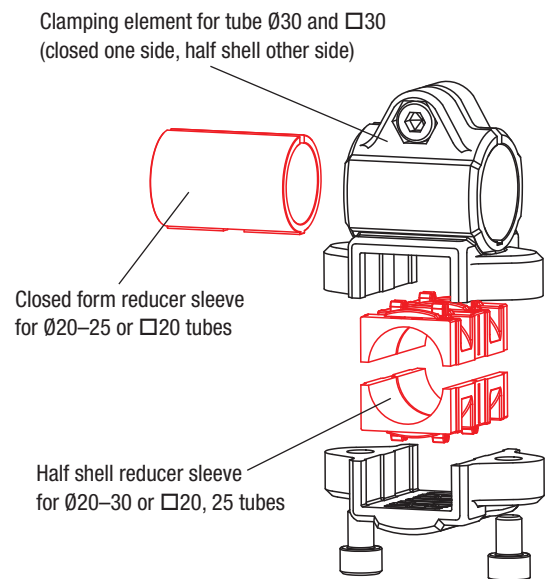
### Note:

The clamping elements are supplied as standard with a DIN 7984 screw and a DIN 985 self-locking nut. Plastic clamp levers for locking available on request.

### Closed system (one-piece, slitted)



### Half shell elements (two-piece)



### Application using tube clamps

