

Item description/product images



Description

Material:

Disc handwheel in aluminium.

Version:

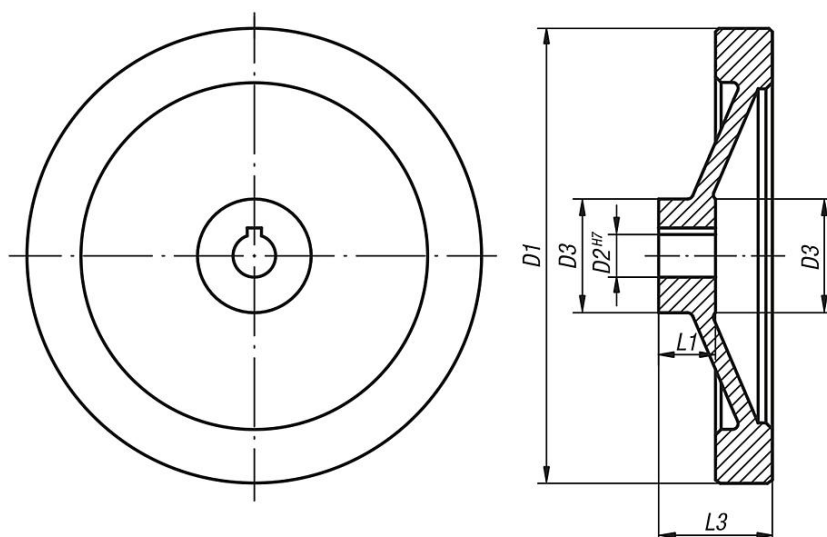
Wheel rim turned and polished.
Radial and axial run-out of rim < IT 12.

On request:

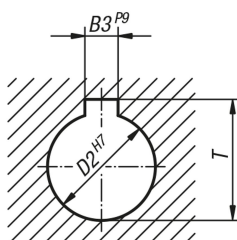
Hubs with square socket or powder-coated handwheels.

Drawings

without cylindrical grip



DIN 6885-1



Overview of items

Order No.	Version 1	D1	D2	D3	L1	L3	B3	T
06275-0080X10	reamed hole	80	10H7	26	16	31	-	-
06275-0080X12	reamed hole	80	12H7	26	16	31	-	-
06275-0100X10	reamed hole	100	10H7	31	17	34	-	-
06275-0100X12	reamed hole	100	12H7	31	17	34	-	-
06275-0125X12	reamed hole	125	12H7	30	18	37	-	-
06275-0125X14	reamed hole	125	14H7	30	18	37	-	-
06275-0140X14	reamed hole	140	14H7	34	19	34	-	-

Overview of items

Order No.	Version 1	D1	D2	D3	L1	L3	B3	T
06275-0140X15	reamed hole	140	15H7	34	19	34	-	-
06275-0160X15	reamed hole	160	15H7	40	20	40	-	-
06275-0160X16	reamed hole	160	16H7	40	20	40	-	-
06275-0200X18	reamed hole	200	18H7	50	24	46	-	-
06275-0200X20	reamed hole	200	20H7	50	24	46	-	-
06275-0250X22	reamed hole	250	22H7	50	28	49	-	-
06275-0250X24	reamed hole	250	24H7	50	28	49	-	-
06275-1080X10	reamed hole with slot	80	10H7	26	16	31	3	11,4
06275-1080X12	reamed hole with slot	80	12H7	26	16	31	4	13,8
06275-1100X10	reamed hole with slot	100	10H7	31	17	34	3	11,4
06275-1100X12	reamed hole with slot	100	12H7	31	17	34	4	13,8
06275-1125X12	reamed hole with slot	125	12H7	30	18	37	4	13,8
06275-1125X14	reamed hole with slot	125	14H7	30	18	37	5	16,3
06275-1140X14	reamed hole with slot	140	14H7	34	19	34	5	16,3
06275-1140X15	reamed hole with slot	140	15H7	34	19	34	5	17,3
06275-1160X15	reamed hole with slot	160	15H7	40	20	40	5	17,3
06275-1160X16	reamed hole with slot	160	16H7	40	20	40	5	18,3
06275-1200X18	reamed hole with slot	200	18H7	50	24	46	6	20,8
06275-1200X20	reamed hole with slot	200	20H7	50	24	46	6	22,8
06275-1250X22	reamed hole with slot	250	22H7	50	28	49	6	24,8
06275-1250X24	reamed hole with slot	250	24H7	50	28	49	8	27,3