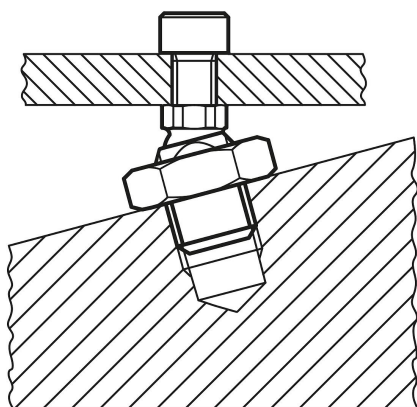


Item description/product images



Description

Product description:

Swivel screws serve as a flexibly adjustable connecting elements to compensate for angles and spacings.

For example, as a foot element on machines or housings.

Material:

Threaded sleeve QT steel grade 10.9 or stainless steel 1.4305.

Ball element free-cutting steel or stainless steel 1.4305.

Version:

QT steel tempered and black oxidised

Free-cutting steel hardened and black oxidised.

Stainless steel bright.

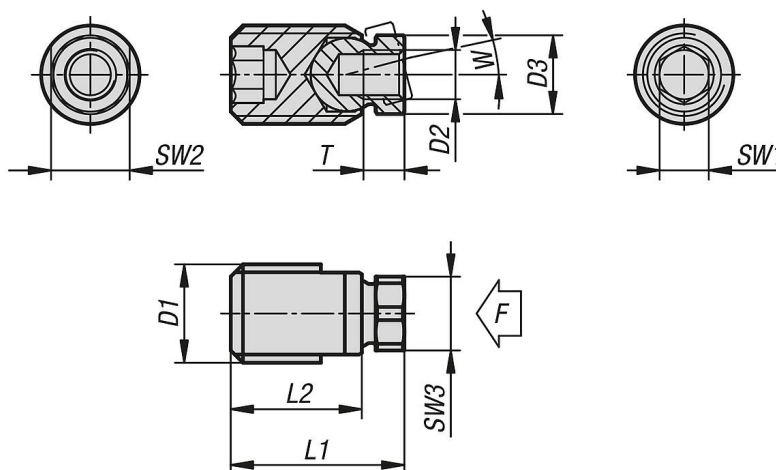
Note:

Swivel screws may only be subjected to compressive loads.

The specified static load rating results from the material used for the ball element and is a static axial force.

Bending and buckling stresses occurring during application must be taken into account by the user.

Drawings



Overview of items

Order No.	Main material	D1=Thread	D2=Thread	D3	Load rating max. kN (static load only)	L1	L2	SW1	SW2	SW3	T	W=Swivel angle
27807-1005	steel	M10	M5	7,8	6	18,9	14	5	9	7	5	10°
27807-1206	steel	M12	M6	9,6	8,5	21,2	16	6	10	9	5	15°
27807-1608	steel	M16	M8	13,2	15	26	20	8	14	12	7	15°
27807-2410	steel	M24	M10	20	21	40	30	12	20	19	9	15°
27807-2412	steel	M24	M12	20	31	40	30	12	20	19	11	15°
27807-3016	steel	M30x2	M16	27,7	58	45,5	36	12	27	24	14	15°
27807-3820	steel	M38x2	M20	34,6	91	54,5	40	17	32	30	18	15°

Overview of items

Order No.	Main material	D1=Thread	D2=Thread	D3	Load rating max. kN (static load only)	L1	L2	SW1	SW2	SW3	T	W=Swivel angle
27807-11005	stainless steel	M10	M5	7,8	2,6	18,9	14	5	9	7	5	10°
27807-11206	stainless steel	M12	M6	9,6	4	21,2	16	6	10	9	5	15°
27807-11608	stainless steel	M16	M8	13,2	7	26	20	8	14	12	7	15°
27807-12410	stainless steel	M24	M10	20	11	40	30	12	20	19	9	15°
27807-12412	stainless steel	M24	M12	20	16	40	30	12	20	19	11	15°
27807-13016	stainless steel	M30x2	M16	27,7	30	45,5	36	12	27	24	14	15°
27807-13820	stainless steel	M38x2	M20	34,6	46	54,5	40	17	32	30	18	15°