

Item description/product images

**Description****Material:**

Housing and fastening nut, stainless steel 1.4404.
Actuator 1.4401.
O-ring NBR.

Version:

Bright.

Note:

The quarter turn lock can be installed pre-assembled.
For right or left use.

Water and dust protected acc. to IP65 to DIN EN 60529.

Please order required tongue version separately. Every tongue can be combined with every housing.

*Dimension A results from the combination of the quarter turn lock and the tongue and is specified with the matching tongues.

Accessory:

Key 05586.
Tongue for stainless steel quarter-turn lock 05566-07.

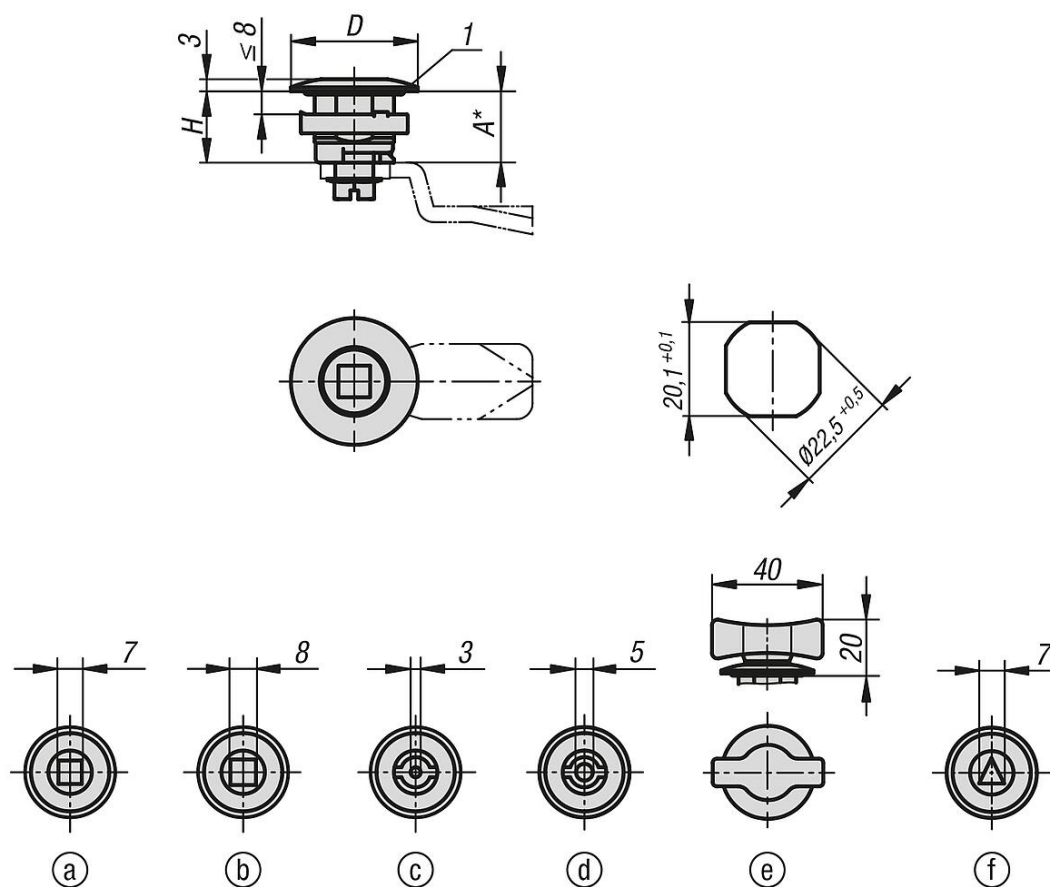
Drawing reference:

Actuation:

- a) square 7 mm
- b) square 8 mm
- c) double lug 3 mm
- d) double lug 5 mm
- e) T-grip
- f) triangle 7 mm

- 1) O-ring

Drawings



Overview of items

Order No.	Actuation	D	H	S max.
05566-05-1718	square 7 mm	32	18	8
05566-05-1818	square 8 mm	32	18	8
05566-05-4318	double lug 3 mm	32	18	8
05566-05-4518	double lug 5 mm	32	18	8
05566-05-0018	wing grip	32	18	8
05566-05-8718	Triangle 7 mm	32	18	8