

## Item description/product images

**Description****Material:**

Steel housing.  
Nitrile rubber seal.

**Version:**

Ground edges.

**Note:**

Preloaded high-accuracy bearings with a 60° thrust angle. The bearings accept both radial and axial forces from both directions. Due to their preload, the angular contact ball bearings provide a high level of stiffness, excellent concentricity, precise tool positioning and repeatability.

The integrated low-friction seal effectively keeps dirt away from the bearing, thereby ensuring excellent operating safety and a long service life.

The bearing friction coefficient  $M_{rl}$  is a reference value.

The moment of inertia corresponds to that of the rotating inner ring.

The limiting speeds are applicable after grease is applied.

**Technical data:**

All bearings are supplied ready for mounting with lubricating grease type KE2P-35 acc. to DIN 51825.

Housing and shaft tolerances correspond to roundness tolerance class IT2 and perpendicularity tolerance class IT4.

**Application:**

For thread drive bearing.

**Temperature range:**

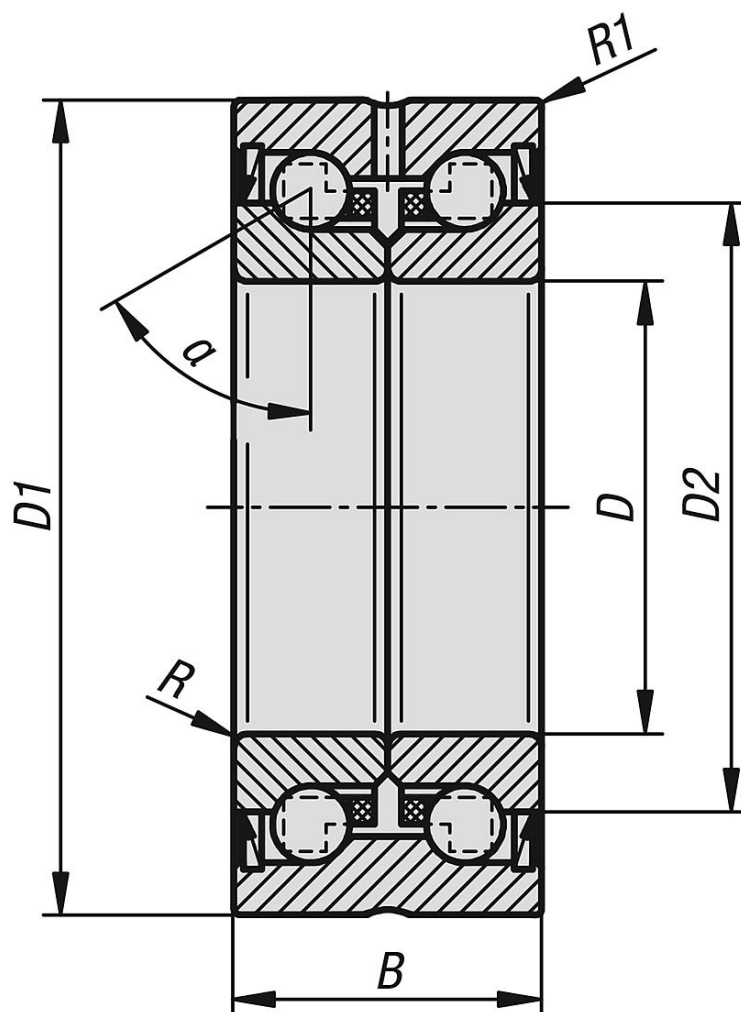
-30 °C to +120 °C.

**Assembly:**

Precision slotted nuts must be used for mounting the threaded spindles.

To compensate for any material settling during assembly, tighten the slotted nuts using 2x tightening torque, loosen slightly and then tighten using the prescribed tightening torque.

Drawings



Overview of items

Order No.	Abbreviation	Version 1	B	D	D1	D2	R min.	R1 min.	$\alpha$	Tightening torque, precision locknut Nm	Speed limit rpm	Static load rating N	Dynamic load rating N
23806-101003420	1034-2RS	double-row	20 -0,25	10-0,008	34-0,011	21	0,3	0,6	60°	6	4600	18800	13400
23806-101204225	1242-2RS	double-row	25 -0,25	12-0,005	42-0,010	25	0,3	0,6	60°	8	3800	24700	16900
23806-101504525	1545-2RS	double-row	25 -0,25	15-0,005	45-0,01	27,5	0,3	0,6	60°	10	3500	28000	17900
23806-101704725	1747-2RS	double-row	25 -0,25	17-0,005	47-0,01	29,5	0,3	0,6	60°	15	3300	31000	18800
23806-102005228	2052-2RS	double-row	28 -0,25	20-0,005	52-0,01	35	0,3	0,6	60°	18	3000	47000	26000
23806-102505728	2557-2RS	double-row	28 -0,25	25-0,005	57-0,01	40	0,3	0,6	60°	25	2600	55000	27500
23806-103006228	3062-2RS	double-row	28 -0,25	30-0,005	62-0,01	45	0,3	0,6	60°	32	2200	64000	29000
23806-104007534	4075-2RS	double-row	34 -0,25	40-0,005	75-0,01	57	0,3	0,6	60°	55	1800	101000	43000

Order No.	Abbreviation	Axial rigidity N/ $\mu$ m	Tilt rigidity Nm/mrad	Bearing friction torque Nm	Moment of inertia kg.cm <sup>2</sup>	Circular runout $\mu$ m	Radial bearing clearance	Hole tolerance $\mu$ m	OD tolerance $\mu$ m	Width tolerance $\mu$ m
23806-101003420	1034-2RS	325	25	0,12	0,029	2,0	pre-tensioned	0-5	0-10	0-250
23806-101204225	1242-2RS	375	50	0,16	0,068	2,0	pre-tensioned	0-5	0-10	0-250
23806-101504525	1545-2RS	400	65	0,20	0,102	2,0	pre-tensioned	0-5	0-10	0-250
23806-101704725	1747-2RS	450	80	0,24	0,132	2,0	pre-tensioned	0-5	0-10	0-250
23806-102005228	2052-2RS	650	140	0,30	0,273	2,0	pre-tensioned	0-5	0-10	0-250
23806-102505728	2557-2RS	750	200	0,40	0,486	2,0	pre-tensioned	0-5	0-10	0-250
23806-103006228	3062-2RS	850	300	0,50	0,730	2,5	pre-tensioned	0-5	0-10	0-250
23806-104007534	4075-2RS	1000	550	0,70	2,260	2,5	pre-tensioned	0-5	0-10	0-250

