

Item description/product images



Description

Material:

GJL 250 annealed.

Note:

The length L is cut by saw and is always supplied overlong.

Drawing reference:

machined faces: ± 0.25 mm

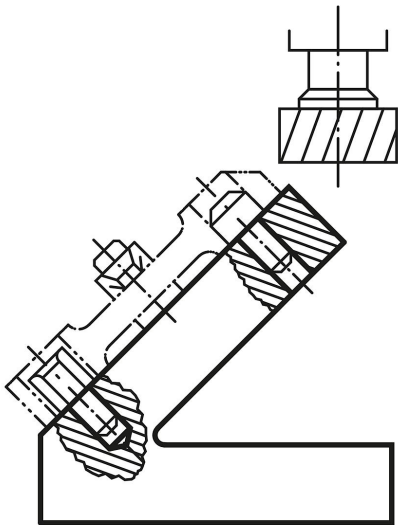
unmachined faces: ± 2 mm

length tolerance:

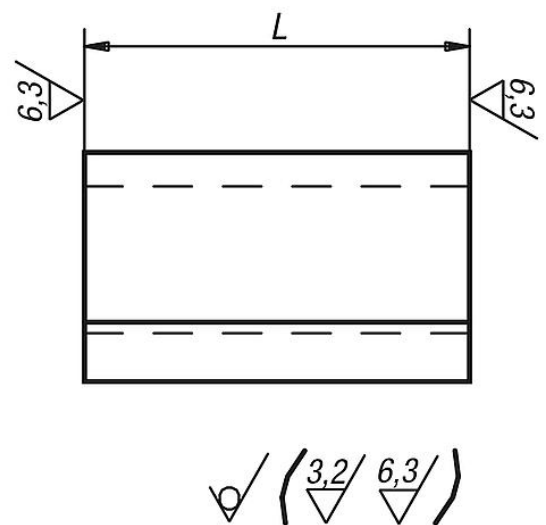
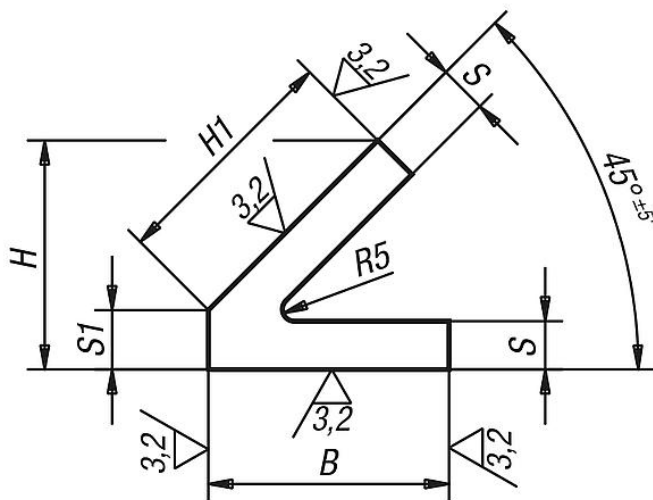
≤ 200 mm: $+3/+10$

> 200 mm ≤ 590 mm: $+8/+15$

≥ 600 mm: $+20/+50$



Drawings



Overview of items

Order No.	L = length	B	H	H1	S	S1
01820-02X	300/600	100	95	100	20	24
01820-05X	300/600	200	181	200	32	40