

Item description/product images



Description

Material:

Disc handwheel aluminium.
Cylinder grip black thermoset PF 31-DIN 7708.
Hub electro zinc-plated steel.

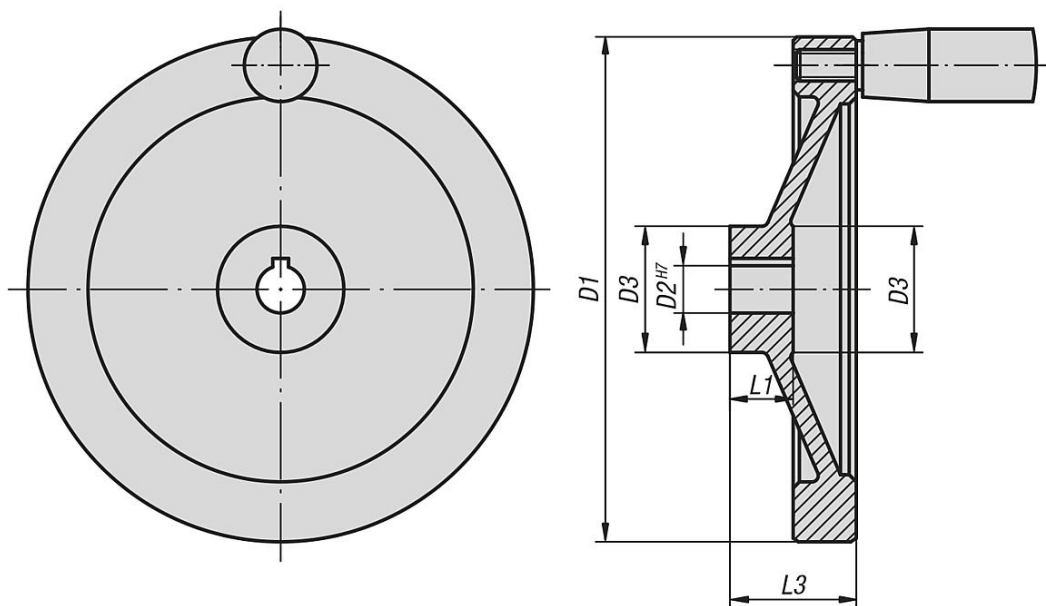
Version:

Wheel rim turned and polished.

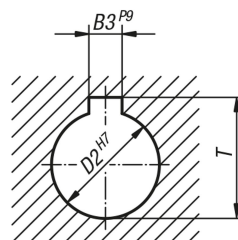
On request:

Hubs with square socket or powder-coated handwheels.

Drawings



DIN 6885-1



Overview of items

Handwheels disc, aluminium, without grip

Order No.	Version 1	D1	D2	D3	L1	L3	B3	T	Fixed cylinder grip	Revolving cylinder grip
06275-0080X10	reamed hole	80	10H7	26	16	31	-	-	-	-
06275-0080X12	reamed hole	80	12H7	26	16	31	-	-	-	-
06275-0100X10	reamed hole	100	10H7	31	17	34	-	-	-	-
06275-0100X12	reamed hole	100	12H7	31	17	34	-	-	-	-

Overview of items

Order No.	Version 1	D1	D2	D3	L1	L3	B3	T	Fixed cylinder grip	Revolving cylinder grip
06275-0125X12	reamed hole	125	12H7	30	18	37	-	-	-	-
06275-0125X14	reamed hole	125	14H7	30	18	37	-	-	-	-
06275-0140X14	reamed hole	140	14H7	34	19	34	-	-	-	-
06275-0140X15	reamed hole	140	15H7	34	19	34	-	-	-	-
06275-0160X15	reamed hole	160	15H7	40	20	40	-	-	-	-
06275-0160X16	reamed hole	160	16H7	40	20	40	-	-	-	-
06275-0200X18	reamed hole	200	18H7	50	24	46	-	-	-	-
06275-0200X20	reamed hole	200	20H7	50	24	46	-	-	-	-
06275-0250X22	reamed hole	250	22H7	50	28	49	-	-	-	-
06275-0250X24	reamed hole	250	24H7	50	28	49	-	-	-	-
06275-1080X10	reamed hole with slot	80	10H7	26	16	31	3	11,4	-	-
06275-1080X12	reamed hole with slot	80	12H7	26	16	31	4	13,8	-	-
06275-1100X10	reamed hole with slot	100	10H7	31	17	34	3	11,4	-	-
06275-1100X12	reamed hole with slot	100	12H7	31	17	34	4	13,8	-	-
06275-1125X12	reamed hole with slot	125	12H7	30	18	37	4	13,8	-	-
06275-1125X14	reamed hole with slot	125	14H7	30	18	37	5	16,3	-	-
06275-1140X14	reamed hole with slot	140	14H7	34	19	34	5	16,3	-	-
06275-1140X15	reamed hole with slot	140	15H7	34	19	34	5	17,3	-	-
06275-1160X15	reamed hole with slot	160	15H7	40	20	40	5	17,3	-	-
06275-1160X16	reamed hole with slot	160	16H7	40	20	40	5	18,3	-	-
06275-1200X18	reamed hole with slot	200	18H7	50	24	46	6	20,8	-	-
06275-1200X20	reamed hole with slot	200	20H7	50	24	46	6	22,8	-	-
06275-1250X22	reamed hole with slot	250	22H7	50	28	49	6	24,8	-	-
06275-1250X24	reamed hole with slot	250	24H7	50	28	49	8	27,3	-	-
06275-2080X10	reamed hole	80	10H7	26	16	31	-	-	ø18 x M6 x 40	-
06275-2080X12	reamed hole	80	12H7	26	16	31	-	-	ø18 x M6 x 40	-
06275-2100X10	reamed hole	100	10H7	31	17	34	-	-	ø18 x M6 x 40	-
06275-2100X12	reamed hole	100	12H7	31	17	34	-	-	ø18 x M6 x 40	-
06275-2125X12	reamed hole	125	12H7	30	18	37	-	-	ø21 x M8 x 50	-
06275-2125X14	reamed hole	125	14H7	30	18	37	-	-	ø21 x M8 x 50	-
06275-2140X14	reamed hole	140	14H7	34	19	34	-	-	ø21 x M8 x 50	-
06275-2140X15	reamed hole	140	15H7	34	19	34	-	-	ø21 x M8 x 50	-
06275-2160X15	reamed hole	160	15H7	40	20	40	-	-	ø26 x M10 x 80	-
06275-2160X16	reamed hole	160	16H7	40	20	40	-	-	ø26 x M10 x 80	-
06275-2200X18	reamed hole	200	18H7	50	24	46	-	-	ø26 x M10 x 80	-
06275-2200X20	reamed hole	200	20H7	50	24	46	-	-	ø26 x M10 x 80	-
06275-2250X22	reamed hole	250	22H7	50	28	49	-	-	ø28 x M12 x 90	-
06275-2250X24	reamed hole	250	24H7	50	28	49	-	-	ø28 x M12 x 90	-
06275-3080X10	reamed hole with slot	80	10H7	26	16	31	3	11,4	ø18 x M6 x 40	-
06275-3080X12	reamed hole with slot	80	12H7	26	16	31	4	13,8	ø18 x M6 x 40	-
06275-3100X10	reamed hole with slot	100	10H7	31	17	34	3	11,4	ø18 x M6 x 40	-
06275-3100X12	reamed hole with slot	100	12H7	31	17	34	4	13,8	ø18 x M6 x 40	-
06275-3125X12	reamed hole with slot	125	12H7	30	18	37	4	13,8	ø21 x M8 x 50	-
06275-3125X14	reamed hole with slot	125	14H7	30	18	37	5	16,3	ø21 x M8 x 50	-
06275-3140X14	reamed hole with slot	140	14H7	34	19	34	5	16,3	ø21 x M8 x 50	-
06275-3140X15	reamed hole with slot	140	15H7	34	19	34	5	17,3	ø21 x M8 x 50	-
06275-3160X15	reamed hole with slot	160	15H7	40	20	40	5	17,3	ø26 x M10 x 80	-
06275-3160X16	reamed hole with slot	160	16H7	40	20	40	5	18,3	ø26 x M10 x 80	-
06275-3200X18	reamed hole with slot	200	18H7	50	24	46	6	20,8	ø26 x M10 x 80	-
06275-3200X20	reamed hole with slot	200	20H7	50	24	46	6	22,8	ø26 x M10 x 80	-
06275-3250X22	reamed hole with slot	250	22H7	50	28	49	6	24,8	ø28 x M12 x 90	-
06275-3250X24	reamed hole with slot	250	24H7	50	28	49	8	27,3	ø28 x M12 x 90	-
06275-4080X10	reamed hole	80	10H7	26	16	31	-	-	-	ø18 x M6 x 40
06275-4080X12	reamed hole	80	12H7	26	16	31	-	-	-	ø18 x M6 x 40
06275-4100X10	reamed hole	100	10H7	31	17	34	-	-	-	ø18 x M6 x 40
06275-4100X12	reamed hole	100	12H7	31	17	34	-	-	-	ø18 x M6 x 40
06275-4125X12	reamed hole	125	12H7	30	18	37	-	-	-	ø22 x M8 x 56
06275-4125X14	reamed hole	125	14H7	30	18	37	-	-	-	ø22 x M8 x 56
06275-4140X14	reamed hole	140	14H7	34	19	34	-	-	-	ø22 x M8 x 56
06275-4140X15	reamed hole	140	15H7	34	19	34	-	-	-	ø22 x M8 x 56
06275-4160X15	reamed hole	160	15H7	40	20	40	-	-	-	ø26 x M10 x 80
06275-4160X16	reamed hole	160	16H7	40	20	40	-	-	-	ø26 x M10 x 80
06275-4200X18	reamed hole	200	18H7	50	24	46	-	-	-	ø26 x M10 x 80
06275-4200X20	reamed hole	200	20H7	50	24	46	-	-	-	ø26 x M10 x 80

Overview of items

Order No.	Version 1	D1	D2	D3	L1	L3	B3	T	Fixed cylinder grip	Revolving cylinder grip
06275-4250X22	reamed hole	250	22H7	50	28	49	-	-	-	ø31 x M12 x 102
06275-4250X24	reamed hole	250	24H7	50	28	49	-	-	-	ø31 x M12 x 102
06275-5080X10	reamed hole with slot	80	10H7	26	16	31	3	11,4	-	ø18 x M6 x 40
06275-5080X12	reamed hole with slot	80	12H7	26	16	31	4	13,8	-	ø18 x M6 x 40
06275-5100X10	reamed hole with slot	100	10H7	31	17	34	3	11,4	-	ø18 x M6 x 40
06275-5100X12	reamed hole with slot	100	12H7	31	17	34	4	13,8	-	ø18 x M6 x 40
06275-5125X12	reamed hole with slot	125	12H7	30	18	37	4	13,8	-	ø22 x M8 x 56
06275-5125X14	reamed hole with slot	125	14H7	30	18	37	5	16,3	-	ø22 x M8 x 56
06275-5140X14	reamed hole with slot	140	14H7	34	19	34	5	16,3	-	ø22 x M8 x 56
06275-5140X15	reamed hole with slot	140	15H7	34	19	34	5	17,3	-	ø22 x M8 x 56
06275-5160X15	reamed hole with slot	160	15H7	40	20	40	5	17,3	-	ø26 x M10 x 80
06275-5160X16	reamed hole with slot	160	16H7	40	20	40	5	18,3	-	ø26 x M10 x 80
06275-5200X18	reamed hole with slot	200	18H7	50	24	46	6	20,8	-	ø26 x M10 x 80
06275-5200X20	reamed hole with slot	200	20H7	50	24	46	6	22,8	-	ø26 x M10 x 80
06275-5250X22	reamed hole with slot	250	22H7	50	28	49	6	24,8	-	ø31 x M12 x 102
06275-5250X24	reamed hole with slot	250	24H7	50	28	49	8	27,3	-	ø31 x M12 x 102

Handwheels disc, aluminium, with fixed cylinder grip

Order No. reamed hole	Order No. reamed hole with slot	D1	D2	D3	L1	L3	B3	T	Fixed cylinder grip
06275-2080X10	06275-3080X10	80	10H7	26	16	31	-/3	-/11,4	ø18 x M6 x 40
06275-2080X12	06275-3080X12	80	12H7	26	16	31	-/4	-/13,8	ø18 x M6 x 40
06275-2100X10	06275-3100X10	100	10H7	31	17	34	-/3	-/11,4	ø18 x M6 x 40
06275-2100X12	06275-3100X12	100	12H7	31	17	34	-/4	-/13,8	ø18 x M6 x 40
06275-2125X12	06275-3125X12	125	12H7	30	18	37	-/4	-/13,8	ø21 x M8 x 50
06275-2125X14	06275-3125X14	125	14H7	30	18	37	-/5	-/16,3	ø21 x M8 x 50
06275-2140X14	06275-3140X14	140	14H7	34	19	34	-/5	-/16,3	ø21 x M8 x 50
06275-2140X15	06275-3140X15	140	15H7	34	19	34	-/5	-/17,3	ø21 x M8 x 50
06275-2160X15	06275-3160X15	160	15H7	40	20	40	-/5	-/17,3	ø26 x M10 x 80
06275-2160X16	06275-3160X16	160	16H7	40	20	40	-/5	-/18,3	ø26 x M10 x 80
06275-2200X18	06275-3200X18	200	18H7	50	24	46	-/6	-/20,8	ø26 x M10 x 80
06275-2200X20	06275-3200X20	200	20H7	50	24	46	-/6	-/22,8	ø26 x M10 x 80
06275-2250X22	06275-3250X22	250	22H7	50	28	49	-/6	-/24,8	ø28 x M12 x 90
06275-2250X24	06275-3250X24	250	24H7	50	28	49	-/8	-/27,3	ø28 x M12 x 90

Handwheels disc, aluminium, with revolving cylinder grip

Order No. reamed hole	Order No. reamed hole with slot	D1	D2	D3	L1	L3	B3	T	Revolving cylinder grip
06275-4080X10	06275-5080X10	80	10H7	26	16	31	-/3	-/11,4	ø18 x M6 x 40
06275-4080X12	06275-5080X12	80	12H7	26	16	31	-/4	-/13,8	ø18 x M6 x 40
06275-4100X10	06275-5100X10	100	10H7	31	17	34	-/3	-/11,4	ø18 x M6 x 40
06275-4100X12	06275-5100X12	100	12H7	31	17	34	-/4	-/13,8	ø18 x M6 x 40
06275-4125X12	06275-5125X12	125	12H7	30	18	37	-/4	-/13,8	ø22 x M8 x 56
06275-4125X14	06275-5125X14	125	14H7	30	18	37	-/5	-/16,3	ø22 x M8 x 56
06275-4140X14	06275-5140X14	140	14H7	34	19	34	-/5	-/16,3	ø22 x M8 x 56
06275-4140X15	06275-5140X15	140	15H7	34	19	34	-/5	-/17,3	ø22 x M8 x 56
06275-4160X15	06275-5160X15	160	15H7	40	20	40	-/5	-/17,3	ø26 x M10 x 80
06275-4160X16	06275-5160X16	160	16H7	40	20	40	-/5	-/18,3	ø26 x M10 x 80
06275-4200X18	06275-5200X18	200	18H7	50	24	46	-/6	-/20,8	ø26 x M10 x 80
06275-4200X20	06275-5200X20	200	20H7	50	24	46	-/6	-/22,8	ø26 x M10 x 80
06275-4250X22	06275-5250X22	250	22H7	50	28	49	-/6	-/24,8	ø31 x M12 x 102
06275-4250X24	06275-5250X24	250	24H7	50	28	49	-/8	-/27,3	ø31 x M12 x 102

