

Item description/product images



Description

Material:

Base malleable iron.
Levers and push-rod carbon steel.

Version:

Body painted.
Bracket, levers and push-rod trivalent passivated.

Note:

The pneumatic clamp can be used as a push and pull clamp. The heavy-duty design and the dual-acting FESTO pneumatic cylinder guarantee a long life.
A tempered and trivalent passivated thrust screw with protective cap is also supplied.

VL = compressed air consumption per complete cycle in dm³ at 6 bar.

Note:

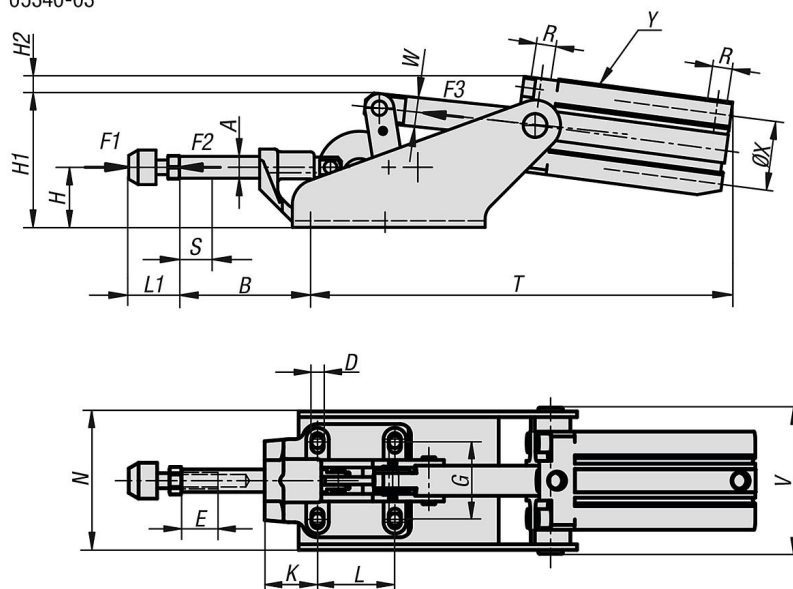
The forces F1 specified in the table are holding forces
F2 are clamping forces.

Drawing reference:

Y = cylinder travel

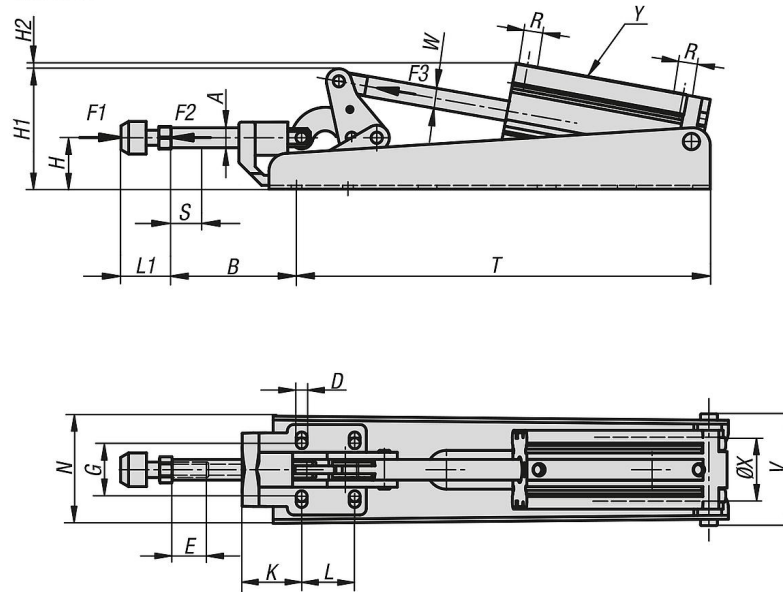
Drawings

05340-03



Drawings

05340-05
05340-07



Overview of items

Order No.	A	B	D	E	G	H	H1	H2	K	N	T	V	W	Travel S
05340-03	12	72	6,5	30	41	33	72	22	28	73,5	232	83	16	20
05340-05	16	98	8,5	50	41	41	96	22	45	84	316	86	20	29
05340-07	22	105	11	50	57	59	128	29	45	114	422	93	20	38

Order No.	L	L1 min.	L1 max.	R	F1 kN	F2 kN	F3 kN	VL	X	suitable thrust screws
05340-03	41	21,5	35	G1/8	4	2,5	0,75	0,8	40	M8x35
05340-05	41	30	50	G1/4	10	5	1	2,2	50	M12x50
05340-07	70	30	50	G1/4	25	10	1,8	4,5	63	M12x50