

Item description/product images



Description

Material:

Spring steel

Version:

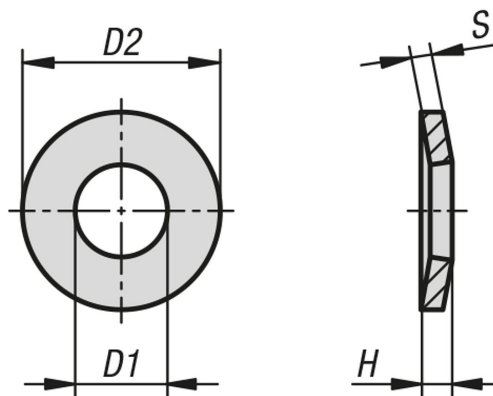
Hardened, bright, oiled or mechanically galvanised.

Note:

The special shape (formed like a disc spring) enables the conical spring washer to achieve a high spring effect. The spring force resulting from the flattening load washer amounts to 70–90% of the corresponding contact pressure of a screw of grade 8.8–10.9.

Conical spring washers are used to compensate for subsidence formation in screw connections and to prevent a loosening or unfastening of the connection. The locking effect is purely frictional.

Drawings



Overview of items

Order No.	Surface finish body	for screws	D1	D2	H	S
07303-04	hardened, bright and oiled	M4	4,3	9	1,3	1
07303-05	hardened, bright and oiled	M5	5,3	11	1,55	1,2
07303-06	hardened, bright and oiled	M6	6,4	14	2	1,5
07303-08	hardened, bright and oiled	M8	8,4	18	2,6	2
07303-10	hardened, bright and oiled	M10	10,5	23	3,2	2,5
07303-12	hardened, bright and oiled	M12	13	29	3,95	3
07303-14	hardened, bright and oiled	M14	15	35	4,65	3,5
07303-16	hardened, bright and oiled	M16	17	39	5,25	4
07303-18	hardened, bright and oiled	M18	19	42	5,8	4,5
07303-20	hardened, bright and oiled	M20	21	45	6,4	5
07303-22	hardened, bright and oiled	M22	23	49	7,05	5,5
07303-24	hardened, bright and oiled	M24	25	56	7,75	6
07303-30	hardened, bright and oiled	M30	31	70	9,2	7
07303-104	galvanised	M4	4,3	9	1,3	1
07303-105	galvanised	M5	5,3	11	1,55	1,2
07303-106	galvanised	M6	6,4	14	2	1,5
07303-108	galvanised	M8	8,4	18	2,6	2
07303-110	galvanised	M10	10,5	23	3,2	2,5
07303-112	galvanised	M12	13	29	3,95	3
07303-114	galvanised	M14	15	35	4,65	3,5

Overview of items

Order No.	Surface finish body	for screws	D1	D2	H	S
07303-116	galvanised	M16	17	39	5,25	4
07303-118	galvanised	M18	19	42	5,8	4,5
07303-120	galvanised	M20	21	45	6,4	5
07303-122	galvanised	M22	23	49	7,05	5,5
07303-124	galvanised	M24	25	56	7,75	6
07303-130	galvanised	M30	31	70	9,2	7