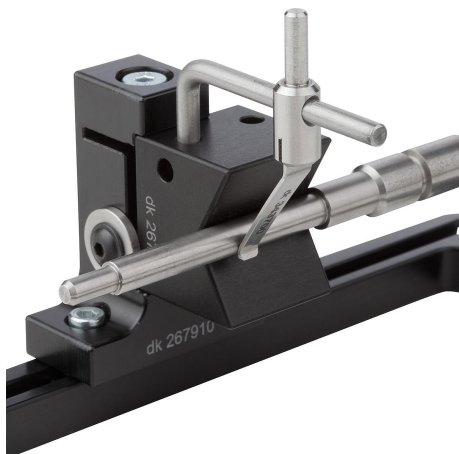
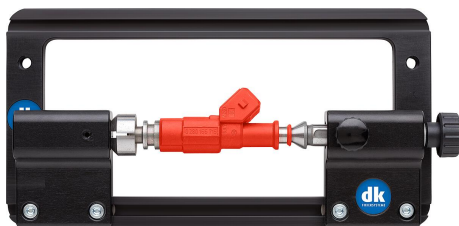
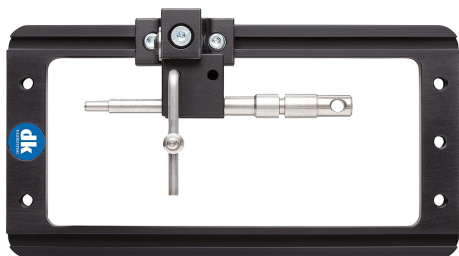
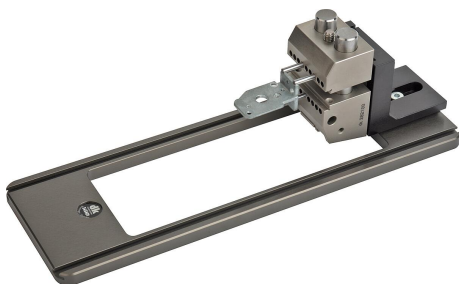


Item description/product images

**Description****Material:**

Aluminium.

Version:

hard-coated.

Note:

Quick-change pallets for measuring technology for reproducible positioning. The positioning is achieved with an angle.

Style B is supplied with screws which are used for mounting on the Keyence machines.

Advantages:

The clamping modules can be mounted on the mounting plate outside the measuring machine. This enables measuring machine OEE's to be reduced due to shorter setup and fixation times.

Supplied with:

Form B: 2 M4x5 cap screws.

Accessory:

V-block holder 34023.

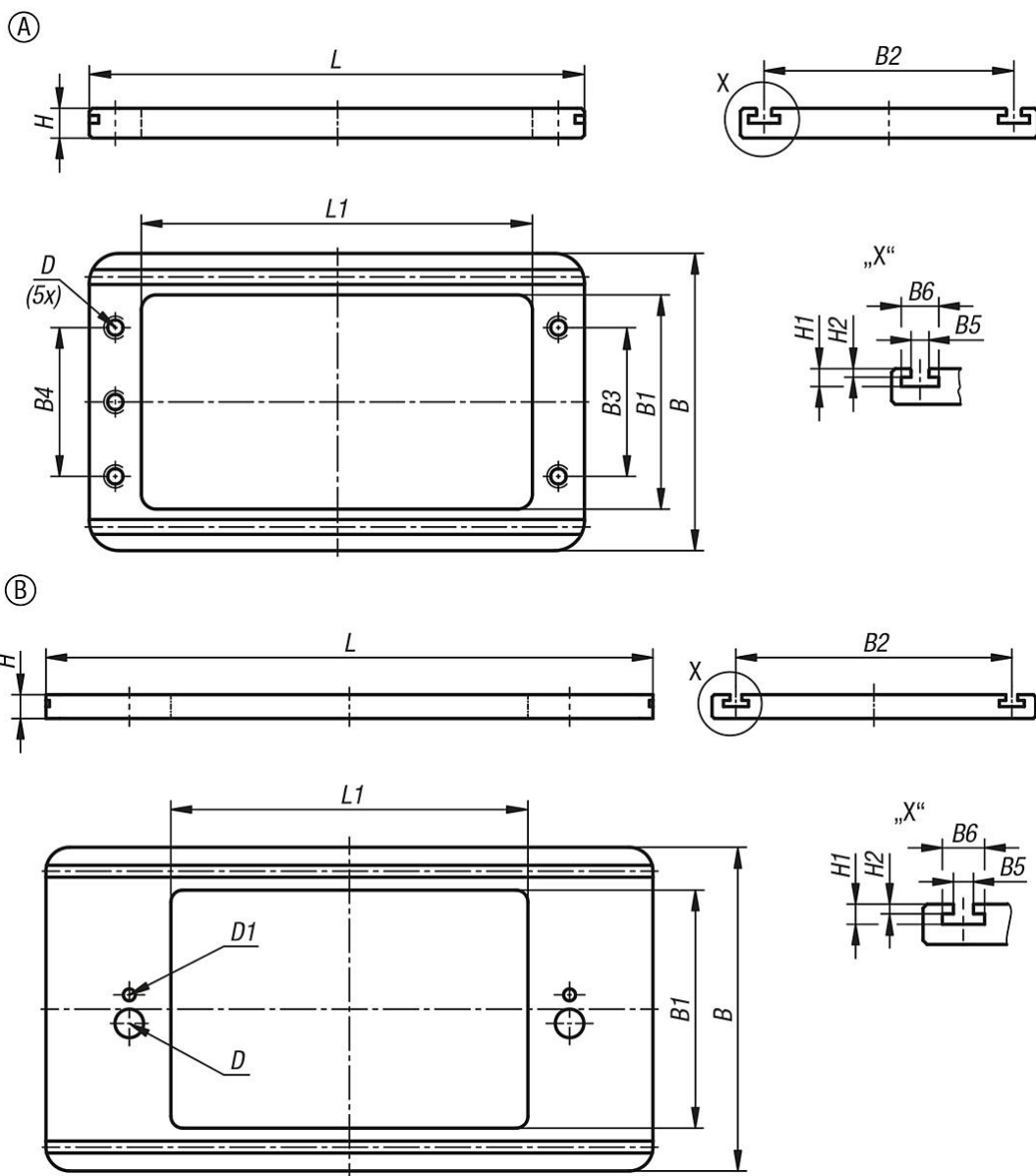
Tailstock 34024.

Drawing reference:

Form A: Short version.

Form B: Suitable for Keyence machines / Keyence types.

Drawings



Overview of items

Quick-change pallet system, aluminium

Order No.	Form	B	B1	B2	B3	B4	B5	B6	D	D1	H	H1	H2	L	L1
34022-19510005	A	100	72	84,1	50	50	5	10,5	M6	-	10	5	2,4	195	160
34022-30513605	B	136	100	115,9	-	-	5	10,5	6	4,6	10	5	2,4	305	200