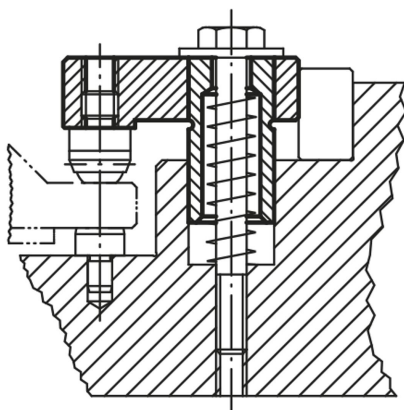


Item description/product images



Description

Material:

Steel.

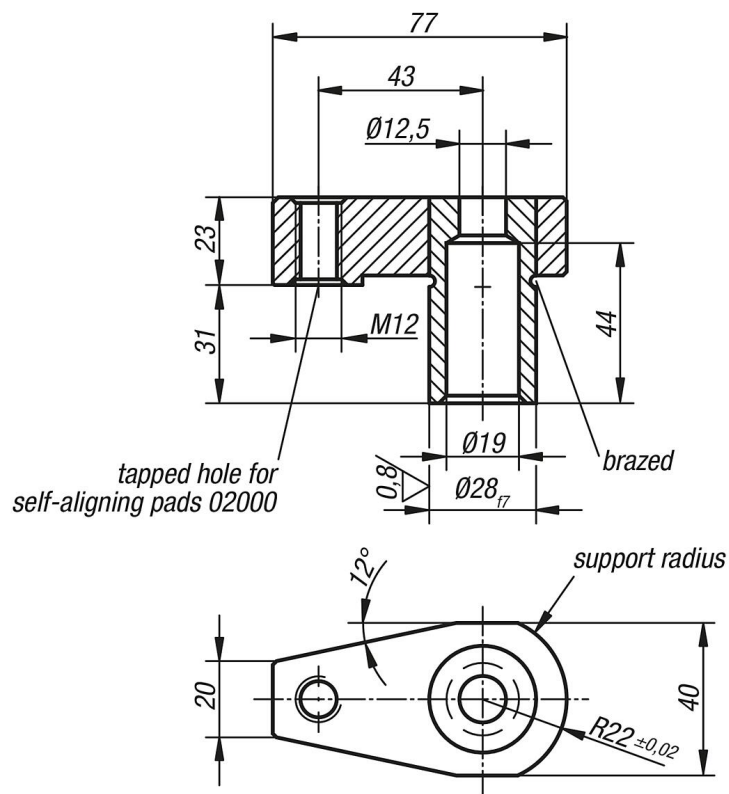
Version:

Case-hardened, black oxidised and ground.

Note:

Precision hook clamps are used as conventional clamping elements in fixtures. A reamed hole is drilled into the fixture base. The hole depth depends on the required clamping height. A support is placed under the rear rounded hook part (radius 22) to take the counterforce, this can be flat, semicircular or prismatic. A DIN 933 hex. head screw tightens the clamp.

Drawings



Overview of items

Order No.	Dimensions
04380-00	see drawing