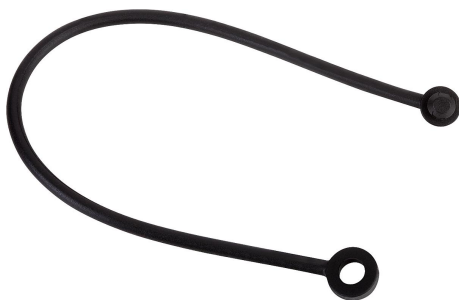


Item description/product images



Description

Material:

Thermoplastic urethane TPU.

Note:

The safety cable is distinguished by its high elongation and good rebound resilience.

It was especially conceived for the star grips 06212, 06220 as an unlosable operating part.

Refitting of existing star grips 06212, 06220 as well as knurled knobs 06266/06267 and knurled knobs 06092 from our assortment is possible with this safety cable.

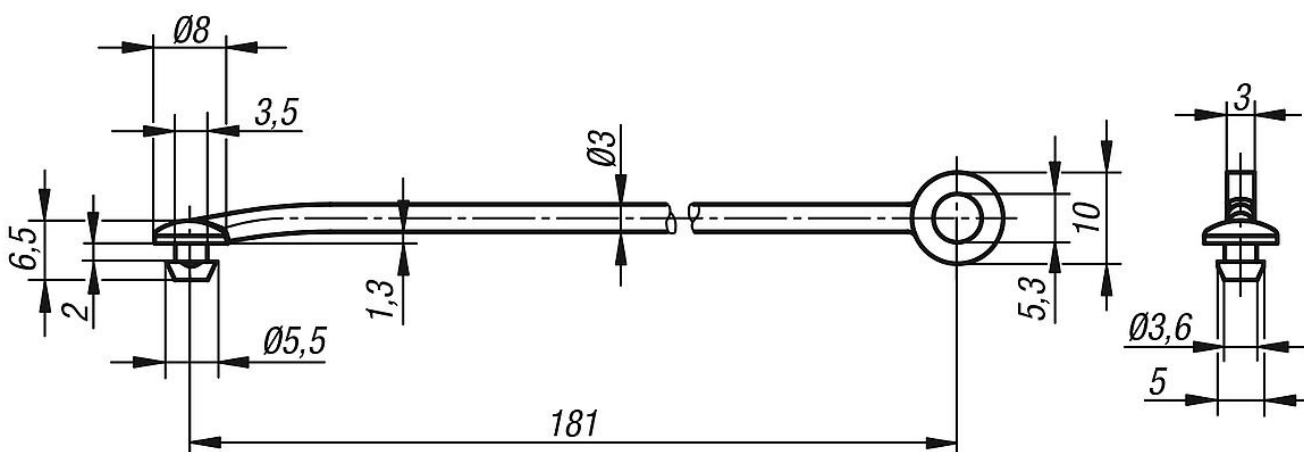
Assembly:

Recommended hole $\varnothing 3.8_{-0,1}$. The hole edge should be deburred. A Teflon based lubrication is recommended to aid assembly.

On request:

Can be combined with other products.

Drawings



Overview of items

Order No.	Dimensions
03198-04190	see drawing