

Item description/product images



Description

Material:

Housing in thermoplastic polyamide.

Version:

Housing, transparent, high mechanical stability, non-ageing, temperature resistant with oil up to 100 °C, with water up to 70 °C.

Resistant to solvents but not alcohol.

Flat seal, asbestos-free.

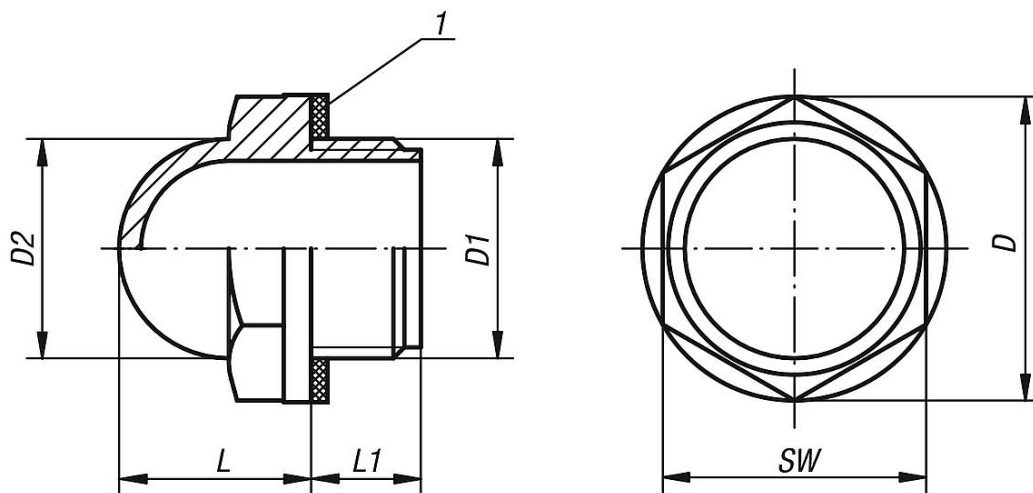
On request:

Rubber gasket (NBR).

Drawing reference:

1) flat seal

Drawings



Overview of items

Order No.	D	D1	D2	L	L1	SW	Tightening torque max. Nm
28008-22038	22	G3/8	15	14	10	19	8
28008-28012	28	G1/2	20	17	10	24	12
28008-35034	35	G3/4	25	20	10	30	16
28008-42100	42	G1	31	24	10,5	36	20