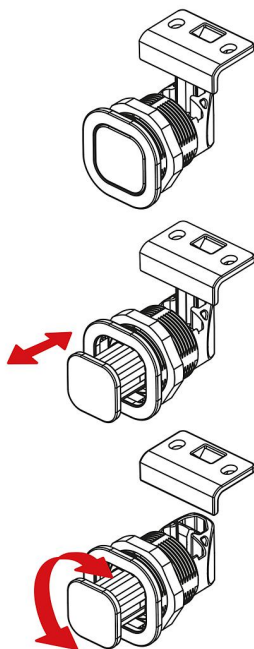


## Item description/product images



## Operating mode:



## Description

**Material:**

PC/ABS.

**Version:**

Black, chromed, white or beige.

**Note:**

The flush knob enables these snap locks to be installed flush into doors, hatches and panels.

The catch plate can also be used as a stop if there is no suitable strike surface available.

Flammability: listed UL94-HB

Max. torque to tighten the nut: 4.2 Nm.

**Type of operation:**

When not actuated, the knob is flush with the housing. When the knob is pressed, it springs out and can be used to retract the latch by twisting to the left or right. The door latches automatically when pushed shut. Press the knob in again to make it flush with the housing.

**Application:**

- Automobile industry
- Medical technology
- Machine construction
- Boat and ship building
- Aviation and aerospace
- Furniture industry

**Assembly:**

1. Produce a mounting cutout as shown in the drawing.
2. Attach the catch plate.
3. Secure from the rear using the mounting nut.

**Supplied with:**

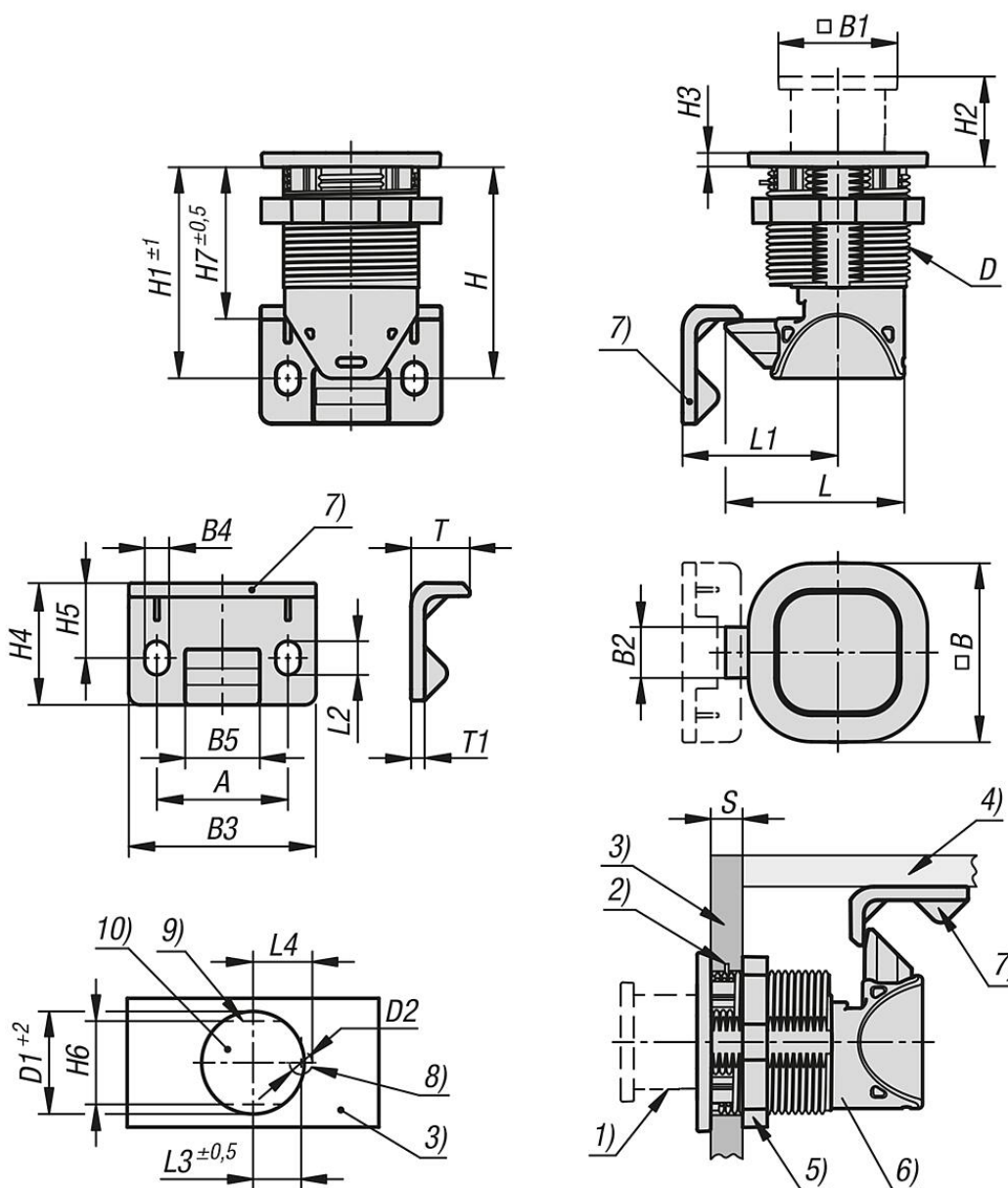
Mounting nut and catch plate.

M5 screws for the catch plate are not supplied.

**Drawing reference:**

- 1) Knob
- 2) Guide pin to prevent twisting
- 3) Door leaf
- 4) Frame
- 5) Mounting nut
- 6) Housing
- 7) Catch plate
- 8) For guide pin (optional)
- 9) Cutout to prevent twisting (optional)
- 10) Mounting cutout

Drawings



Overview of items

Order No.	Main colour	A	B	B1	B2	B3	B4	B5	D	D1	D2	H	H1	H2	H3	H4	H5	H6	H7
05596-60-247400	black	28	40	26,5	12	40	5,2	16	M32x1,5	32	7	47	47	17	3,2	26	16	30,2	34
05596-60-247401	chromed	28	40	26,5	12	40	5,2	16	M32x1,5	32	7	47	47	17	3,2	26	16	30,2	34
05596-60-247402	white	28	40	26,5	12	40	5,2	16	M32x1,5	32	7	47	47	17	3,2	26	16	30,2	34
05596-60-247403	beige	28	40	26,5	12	40	5,2	16	M32x1,5	32	7	47	47	17	3,2	26	16	30,2	34

Order No.	Main colour	L	L1	L2	L3	L4	T	T1	Max. operating load in N	Temperature range °C	S = Door thickness in mm
05596-60-247400	black	39,87	34,42	7,2	15	18,5	13	3	310	-30 to 60	1,2-19
05596-60-247401	chromed	39,87	34,42	7,2	15	18,5	13	3	310	-30 to 60	1,2-19
05596-60-247402	white	39,87	34,42	7,2	15	18,5	13	3	310	-30 to 60	1,2-19
05596-60-247403	beige	39,87	34,42	7,2	15	18,5	13	3	310	-30 to 60	1,2-19

