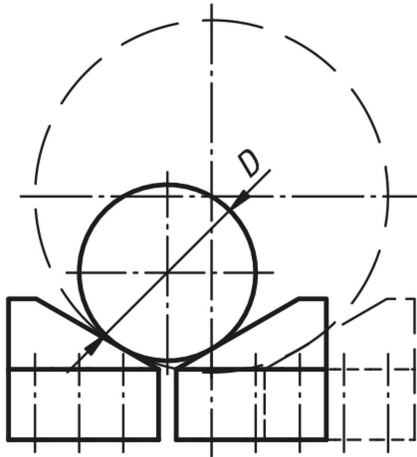


Item description/product images

**Description****Material:**

Carbon steel.

Version:

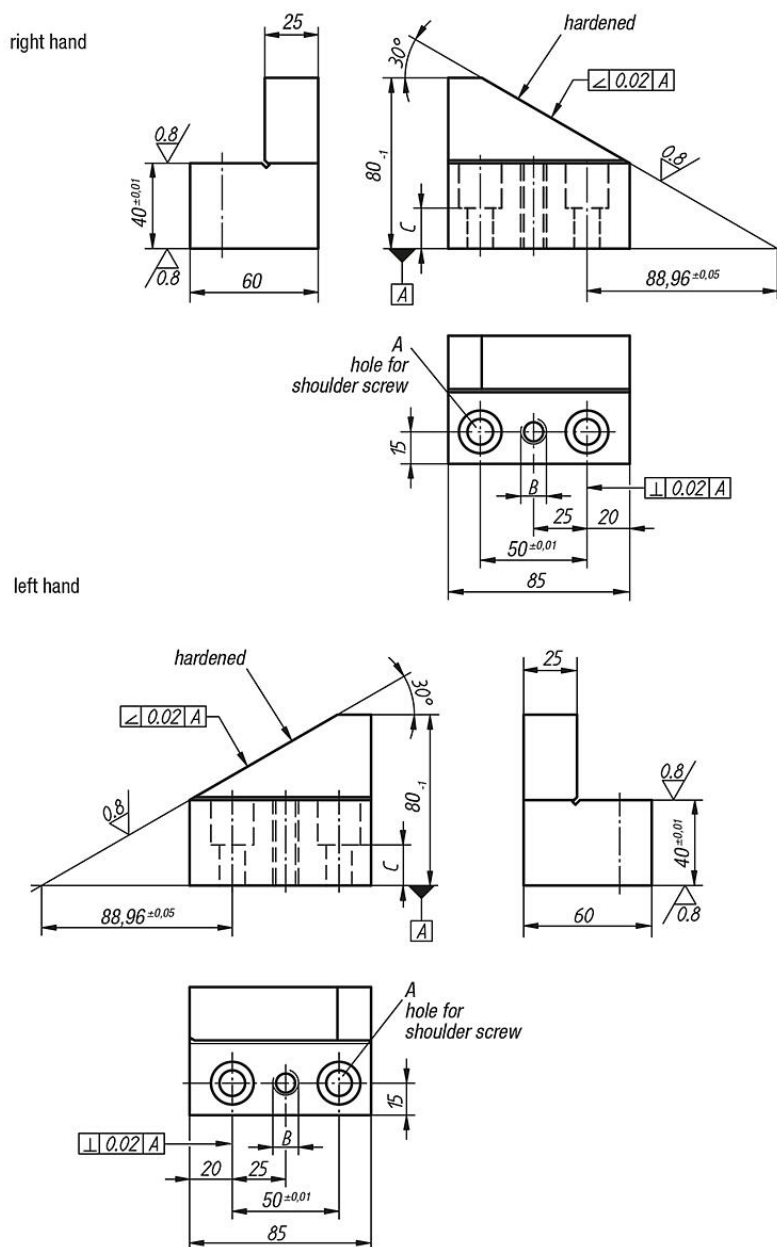
Black oxidised.

Half prism (30°) and contact faces ground.

Note:

Right-hand and left-hand split V-blocks are used for positioning round parts. Split V-blocks permit adjustment to the respective workpiece diameter.

Drawings



Overview of items

Order No.	Version 1	A	B	C	D min.	D max.	Suitable shoulder screw
02388-05-6301230	right	12 F7	M12	23	50	600	07533-112055
02388-05-6301630	right	16 F7	M16	20	50	600	07533-116055
02388-05-6311230	left	12 F7	M12	23	50	600	07533-112055
02388-05-6311630	left	16 F7	M16	20	50	600	07533-116055