

Item description/product images



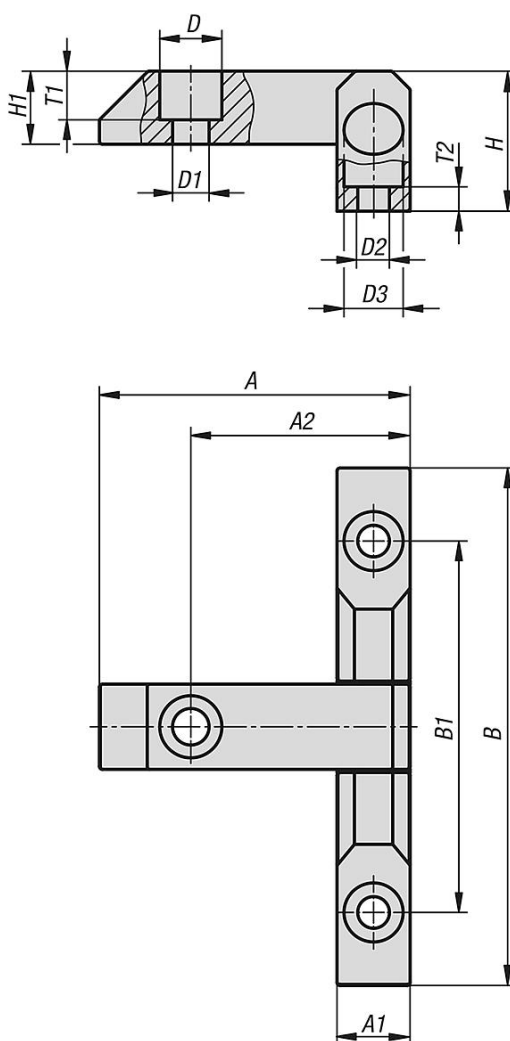
Description

Material:
Die-cast zinc.

Version:
Electro zinc-plated, high-gloss chromed or black powder-coated.

Note:
Block hinges for overlapping doors. Can be mounted left or right. Opening angle 180°. The hinges are supplied assembled.

Drawings



Overview of items

Order No.	Surface finish body	A	A1	A2	B	B1	D	D1	D2	D3	H	H1	T1	T2
27892-00630061	galvanised	51	12	36	85	61	10,2	6	5,2	9,7	23	12	8	4
27892-10630061	high-gloss chromed	51	12	36	85	61	10,2	6	5,2	9,7	23	12	8	4
27892-20630061	powder-coated	51	12	36	85	61	10,2	6	5,2	9,7	23	12	8	4

