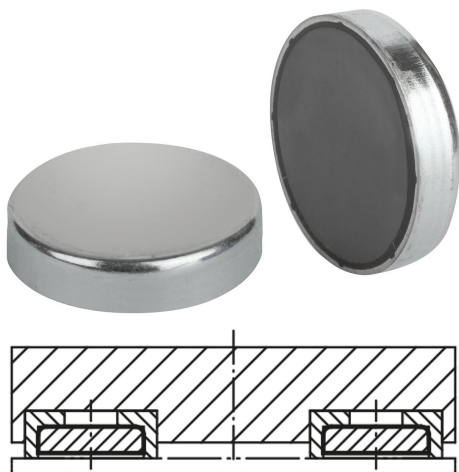


Item description/product images



Description

Material:

Housing, steel.
Magnetic core hard ferrite.

Version:

Housing, electro zinc-plated.

Note:

Shallow pot magnets without threaded bush. These magnets are pressed or glued into the receiving holes.

Hairline cracks in the magnetic material are unavoidable for technical reasons in the D=80 version. They do not impair the attracting function of the magnets in any way.

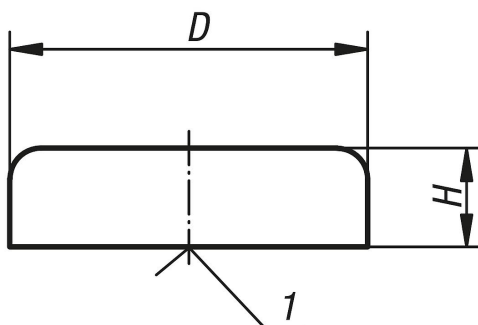
Temperature range:

max. 200°C.

Drawing reference:

1) magnetic face

Drawings



Overview of items

| Order No. | D | H | Magnetic force N |
|-----------|----------|-----|---------------------|
| 09064-01 | 10 ±0,15 | 4,5 | 4 |
| 09064-02 | 13 ±0,15 | 4,5 | 10 |
| 09064-03 | 16 ±0,15 | 4,5 | 18 |
| 09064-04 | 20 ±0,15 | 6 | 30 |
| 09064-05 | 25 ±0,15 | 7 | 40 |
| 09064-06 | 32 ±0,20 | 7 | 80 |
| 09064-07 | 40 ±0,20 | 8 | 125 |
| 09064-08 | 50 ±0,20 | 10 | 220 |
| 09064-09 | 63 ±0,20 | 14 | 350 |
| 09064-10 | 80 ±0,25 | 18 | 600 |

