

## Item description/product images

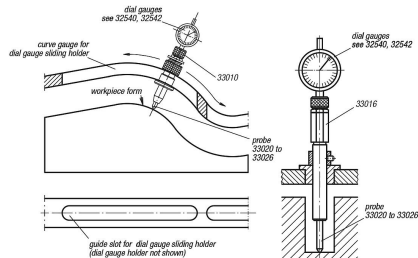


### Description

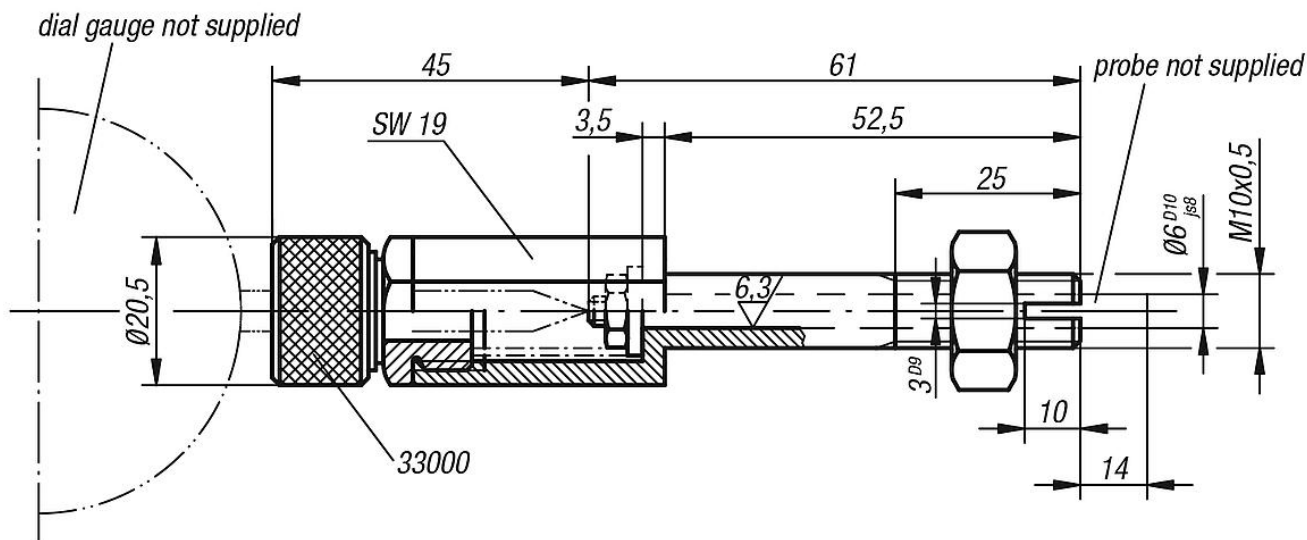
**Material:**  
Carbon steel.

**Version:**  
Black oxidised.  
Collet and body tempered.

**Note:**  
Dial gauges and probes are not included.  
Dial gauges see 32540 and 32542.  
Probes see 33028 up to 33032.



## Drawings



## Overview of items

Order No.	Supplied for the probe pin
33018-06053	1 washer 4.3 x 14 x 0.9 1 hex nut M4 1 spring