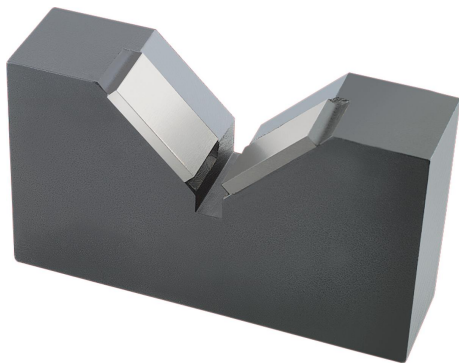


Item description/product images

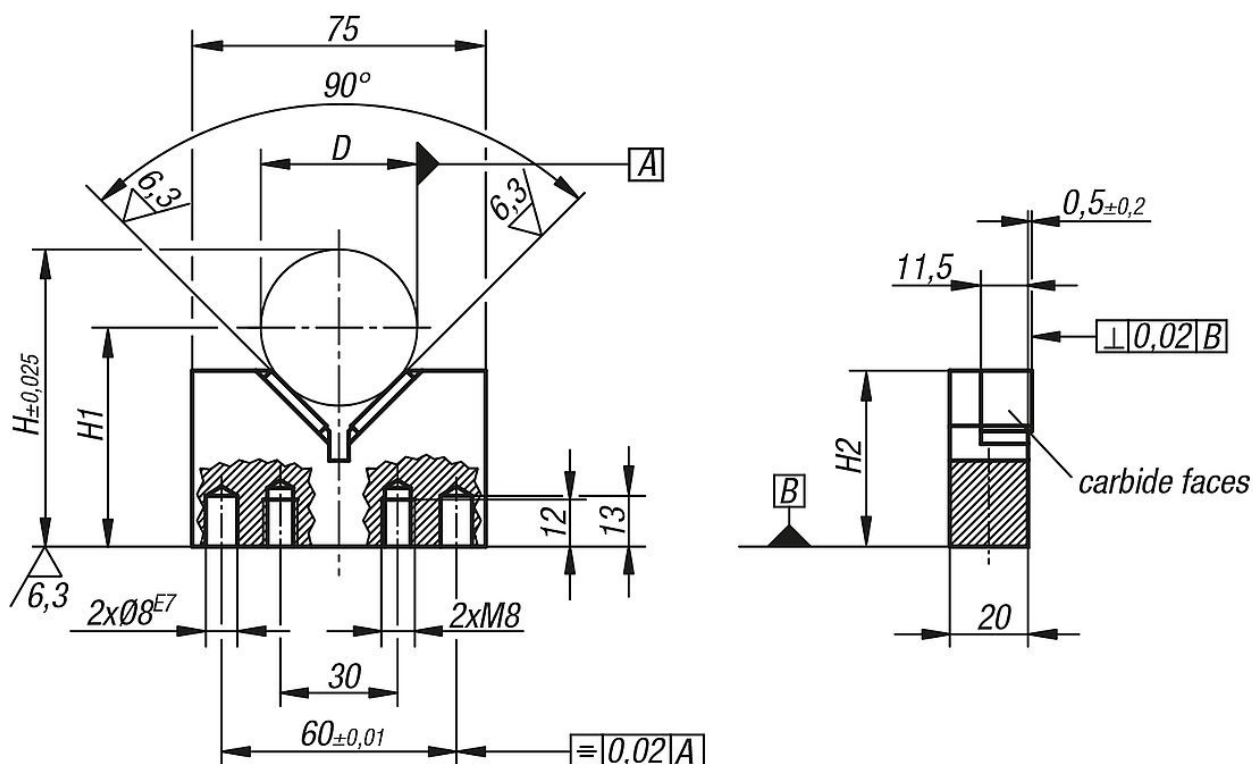


Description

**Material:**  
Carbon steel.  
Contact face carbide.

**Version:**  
Black oxidised.  
Contact faces ground, bright.

Drawings



Overview of items

Order No.	D min.	D max.	D Test-0	H	H1	H2
33090-010020	10	20	20	66	$D/2 \times \sqrt{2} + 41,857$	53
33090-020040	20	40	40	76	$D/2 \times \sqrt{2} + 27,716$	45