

Item description/product images



Description

Material:

Steel.

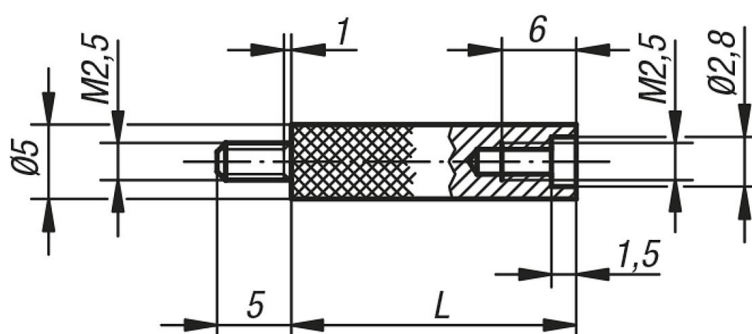
Version:

Black oxidised.

Note:

Suitable for probe inserts 33040 to 33050 and probe insert set 33058.
Dial gauges see 32540 and 32542.

Drawings



Overview of items

Order No.	L
33052-025080	8
33052-025100	10
33052-025120	12
33052-025160	16
33052-025200	20
33052-025240	24
33052-025300	30
33052-025320	32
33052-025400	40
33052-025500	50
33052-025600	60
33052-025700	70
33052-025800	80
33052-025900	90