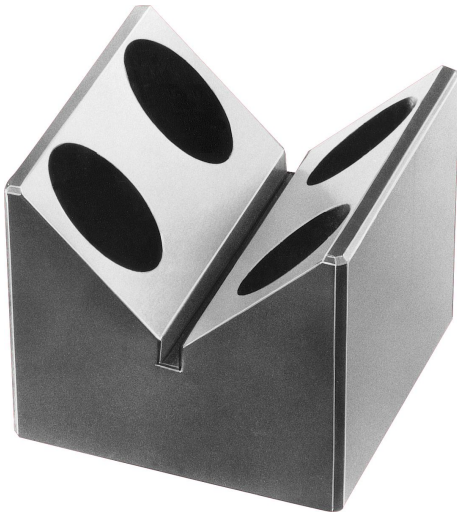


Item description/product images

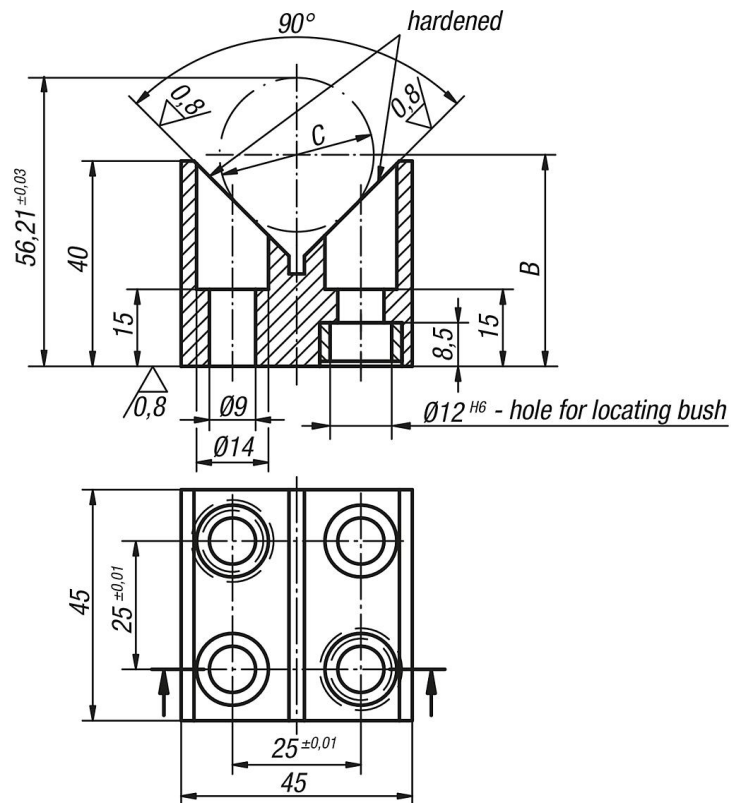


Description

Material:
Carbon steel.

Version:
Black oxidised.
Prism and contact faces ground.

Drawings



Overview of items

Order No.	C min.	C max.	C Test-Ø	B
02388-05-60008040	15	50	30±0,003	C/2X√2+20

