

Item description/product images

**Description****Material:**

Carbon steel.

Version:

Black oxidised.

Assembly:

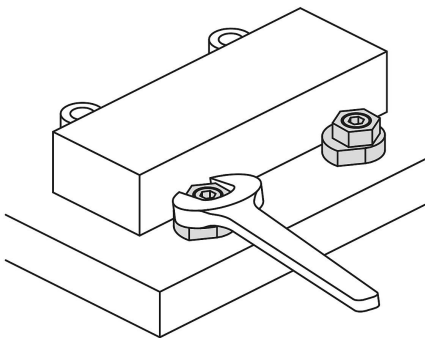
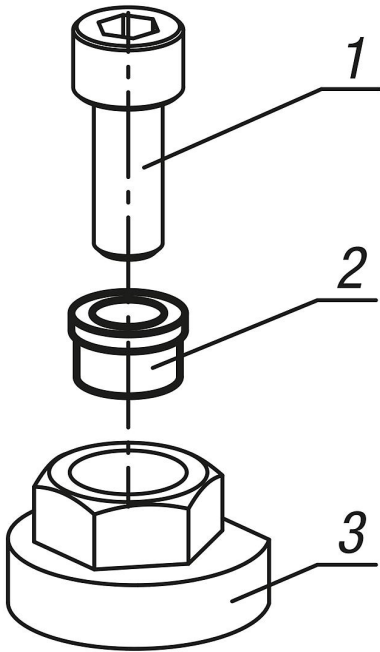
1. Screw the locking screw into the collar bush and fixture clamp and screw onto the baseplate.
2. The workpiece is clamped by tightening the fixture clamp with a spanner.

Advantages:

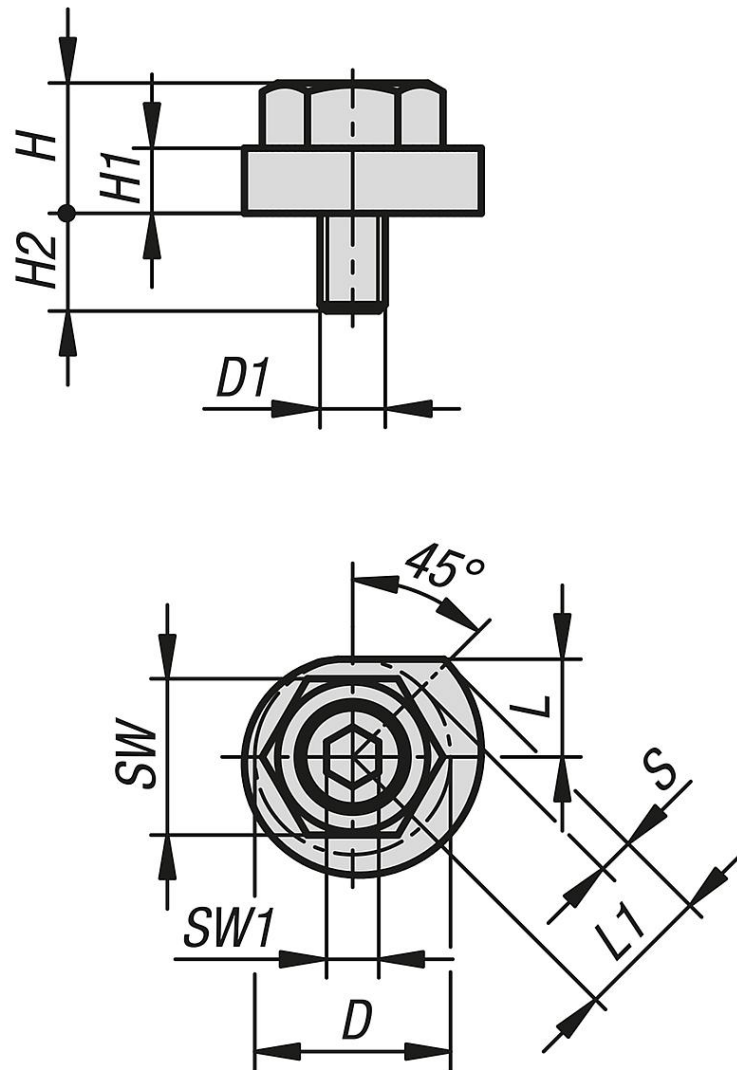
- Compact design
- Quick and easy clamping of components

Drawing reference:

- 1) Locking screw
- 2) Collar bush
- 3) Fixture clamp



Drawings



Overview of items

Order No.	D	D1	H	H1	H2	L	L1	SW	SW1	Clamping force kN	Travel S	Tightening torque max. Nm
04431-05-08	24	M8	16	8	12	12	16,4	19	6	5,2	4,4	50
04431-05-10	30	M10	20	10	15	15	20,5	24	8	8	5,5	75
04431-05-12	34	M12	24	12	18	17	23,2	27	10	9,3	6,2	90