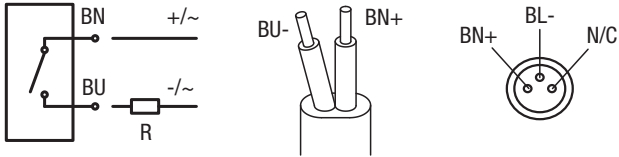



Technical information for oil level gauges

Electronic data for oil level gauges

Electronic oil level monitoring:		Reed switch switch and wiring assignment:
Sensor type	REED 2 wires	 <p>BN = brown BU = blue N/C = not connected</p>
Switching mode	Normally open contact (NO)	
Connection type	M8 connector	
Supply voltage	3÷30 Vac/dc	
Power (ohmic load)	0,2 A	
Power (ohmic load)	6 W	
Operating temperature	-10°C to +70°C.	
Protection class	IP 67	
Cable length	0,3 m	
Jacket	PVC CEI 20-22II O.R.	

Electronic temperature monitoring:		Reed switch switch and wiring assignment:
Sensor type	Bi-metal temperature switch	<p>Normally open contact (NO) Normally closed contact (NC)</p> 
Switching mode	Normally open contact (NO) / Normally closed contact (NC)	
Max. voltage / current rating	250 Vac / 10 A	
Connection plug	EN 175301-803-A (DIN 43650)	
Protection class	IP 65	
Operating temperature	-10°C to +70°C.	
Cable screw	PG 7, for cable Ø 4 to 6 mm	