

Item description/product images



Description

Material:

Steel or stainless steel 1.4571.

Version:

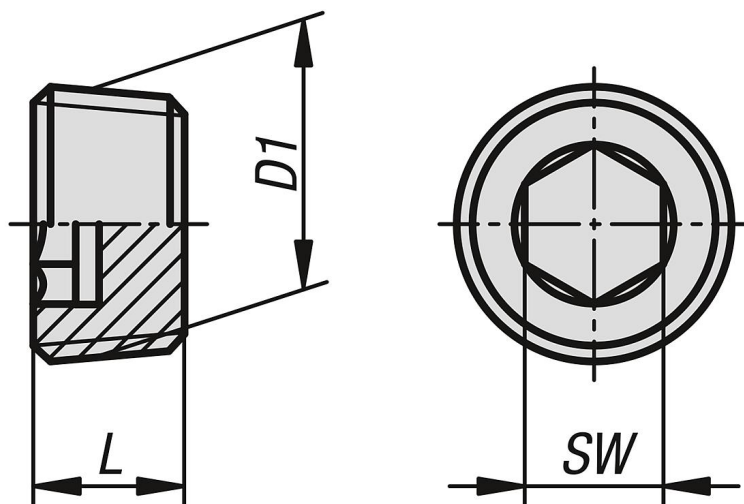
Steel electro zinc-plated.

Stainless steel bright.

Note:

Screw plugs with hexagon socket and tapered threads are suitable for plugging holes with parallel threads.

Drawings



Overview of items

Order No. steel	Order No. stainless steel	D1	L	SW
28013-100810	28013-200810	M8x1	8	4
28013-101010	28013-201010	M10X1	8	5
28013-101215	28013-201215	M12X1,5	10	6
28013-101415	28013-201415	M14X1,5	10	7
28013-101615	28013-201615	M16X1,5	10	8
28013-101015	28013-201815	M18X1,5	10	8
28013-102015	28013-202015	M20X1,5	10	10
28013-102215	28013-202215	M22X1,5	10	10
28013-102415	28013-202415	M24X1,5	12	12
28013-102615	-	M26X1,5	12	12
28013-103015	-	M30X1,5	12	17
28013-103615	-	M36X1,5	15	19
28013-104215	-	M42X1,5	18	22
28013-104815	-	M48X1,5	20	24
28013-10018	28013-2001815	R1/8	8	5
28013-10014	28013-2001415	R1/4	10	7
28013-10038	28013-2003815	R3/8	10	8
28013-10012	28013-2001215	R1/2	10	10
28013-10034	28013-2003415	R3/4	12	12
28013-10100	28013-2010015	R1	12	17
28013-10114	-	R1 1/4	18	22
28013-10112	-	R1 1/2	20	24

