

Item description/product images



Description

Material:

Hammer head carbon steel.
Shaft, stop and guide sleeves tool steel.

Version:

Slide hammer tempered and chromed.
Shaft, stop and guide sleeve hardened and chromed.

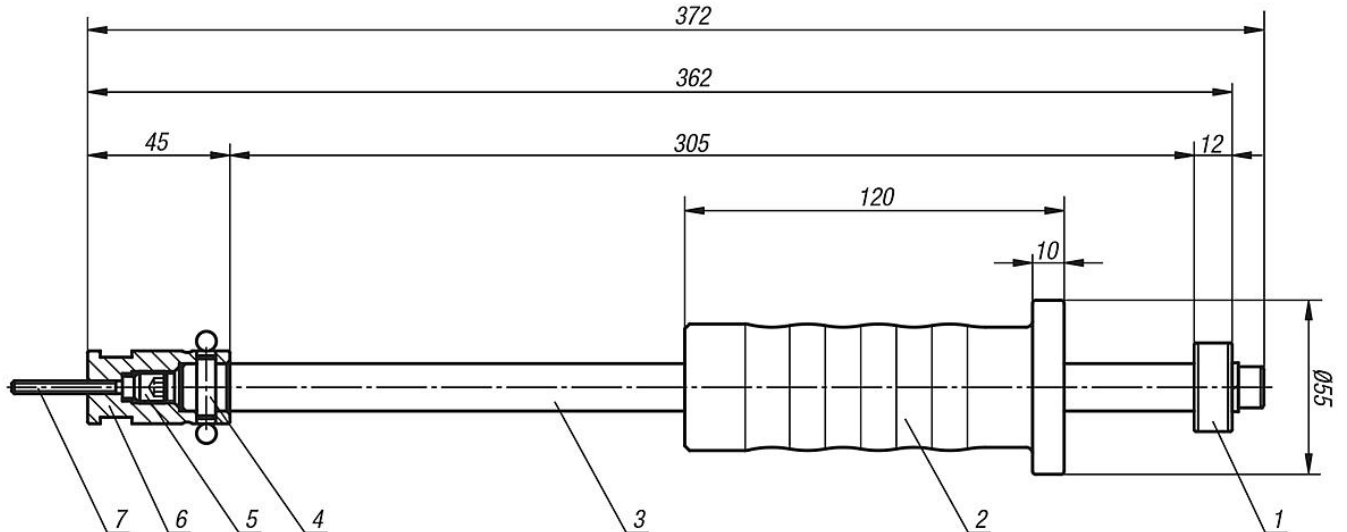
Note:

These extractors are used to remove locating pins and centring pins (03105, 03106, 03107, 03108, 03325) with M3 - M8 tapped holes.

Drawing reference:

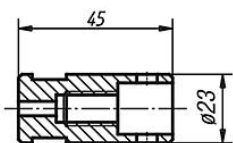
- 1) stop
- 2) slide hammer
- 3) shaft
- 4) cross pin
- 5) lock screw
- 6) guide sleeve
- 7) cap screw
- 8) 1 set guide sleeves

Drawings

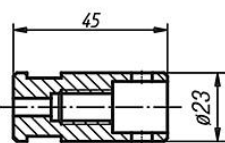


⑧

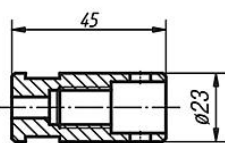
M3 + M4



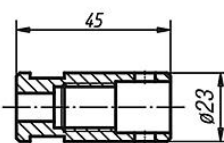
M5



M6



M8



Overview of items

Order No.	Dimensions
03328-40	see drawing