

## Item description/product images

**Description****Material:**

Foot plate and threaded spindle in steel.

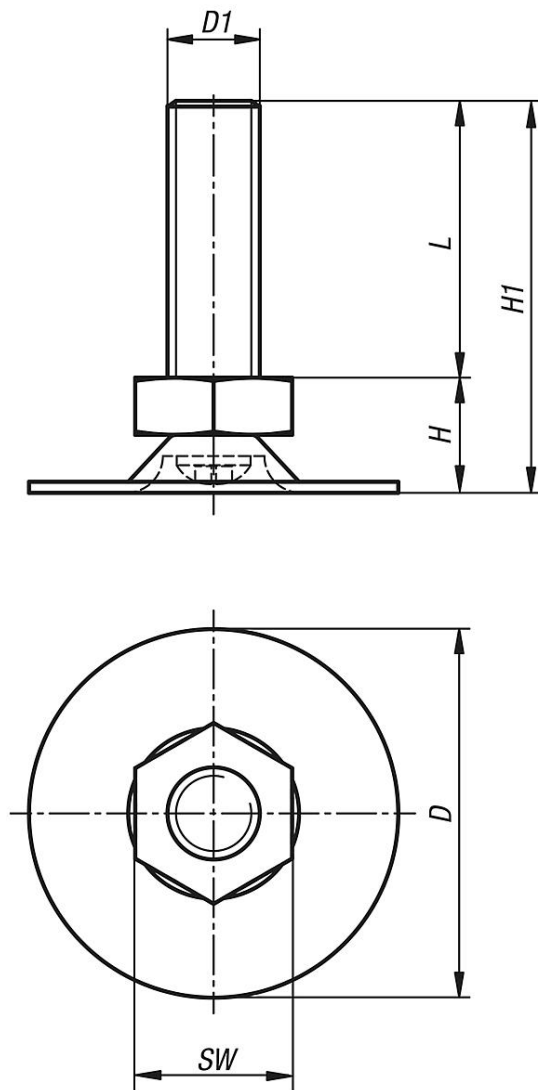
**Version:**

Foot plate and threaded spindle electro zinc-plated.

**Note:**

The threaded spindle is pressed into the rotatable base.

## Drawings



## Overview of items

Order No.	Version 1	D	D1	H	H1	L	SW
27798-03008X016	without hole	30	M8	11	27	16	13
27798-03008X020	without hole	30	M8	11	31	20	13
27798-03008X030	without hole	30	M8	11	41	30	13
27798-03008X040	without hole	30	M8	11	51	40	13
27798-03008X050	without hole	30	M8	11	61	50	13
27798-03010X016	without hole	30	M10	12,5	28,5	16	17
27798-03010X020	without hole	30	M10	12,5	32,5	20	17
27798-03010X030	without hole	30	M10	12,5	42,5	30	17
27798-03010X040	without hole	30	M10	12,5	52,5	40	17
27798-03010X050	without hole	30	M10	12,5	62,5	50	17
27798-03010X060	without hole	30	M10	12,5	72,5	60	17
27798-04008X016	without hole	40	M8	11	27	16	13
27798-04008X020	without hole	40	M8	11	31	20	13
27798-04008X030	without hole	40	M8	11	41	30	13
27798-04008X040	without hole	40	M8	11	51	40	13
27798-04008X050	without hole	40	M8	11	61	50	13
27798-04010X016	without hole	40	M10	11	27	16	17
27798-04010X020	without hole	40	M10	11	31	20	17
27798-04010X030	without hole	40	M10	11	41	30	17
27798-04010X040	without hole	40	M10	11	51	40	17
27798-04010X050	without hole	40	M10	11	61	50	17

## Overview of items

Order No.	Version 1	D	D1	H	H1	L	SW
27798-04010X060	without hole	40	M10	11	71	60	17
27798-05008X016	without hole	50	M8	12,5	28,5	16	13
27798-05008X020	without hole	50	M8	12,5	32,5	20	13
27798-05008X030	without hole	50	M8	12,5	42,5	30	13
27798-05008X040	without hole	50	M8	12,5	52,5	40	13
27798-05008X050	without hole	50	M8	12,5	62,5	50	13
27798-05010X016	without hole	50	M10	14	30	16	17
27798-05010X020	without hole	50	M10	14	34	20	17
27798-05010X030	without hole	50	M10	14	44	30	17
27798-05010X040	without hole	50	M10	14	54	40	17
27798-05010X050	without hole	50	M10	14	64	50	17
27798-05010X060	without hole	50	M10	14	74	60	17
27798-06008X016	without hole	60	M8	13,5	29,5	16	13
27798-06008X020	without hole	60	M8	13,5	33,5	20	13
27798-06008X030	without hole	60	M8	13,5	43,5	30	13
27798-06008X040	without hole	60	M8	13,5	53,5	40	13
27798-06008X050	without hole	60	M8	13,5	63,5	50	13
27798-06010X016	without hole	60	M10	15	31	16	17
27798-06010X020	without hole	60	M10	15	35	20	17
27798-06010X030	without hole	60	M10	15	45	30	17
27798-06010X040	without hole	60	M10	15	55	40	17
27798-06010X050	without hole	60	M10	15	65	50	17
27798-06010X060	without hole	60	M10	15	75	60	17