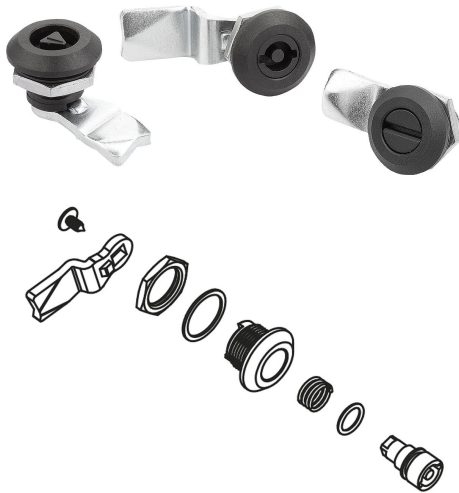


## Item description/product images



## Description

**Material:**

Housing and actuator, PA6 fibreglass reinforced plastic.  
Nut die-cast zinc. O-ring NBR, flat seal CR.

**Version:**

Housing and actuator black.  
Nut electro zinc-plated.

**Note:**

Quarter-turn lock with spring-loaded tongue. Right or left mounting with 90° closing.  
The quarter-turn lock can be installed pre-assembled (limitations by a small A-dimension and thick doors).

Water and dust proof as per IP65 through the O-ring and flat seal.

Order required tongue version separately. Every tongue can be combined with every housing.

\*Dimension A results from the combination of the quarter turn lock and the tongue and is specified with the matching tongues.

**Accessory:**

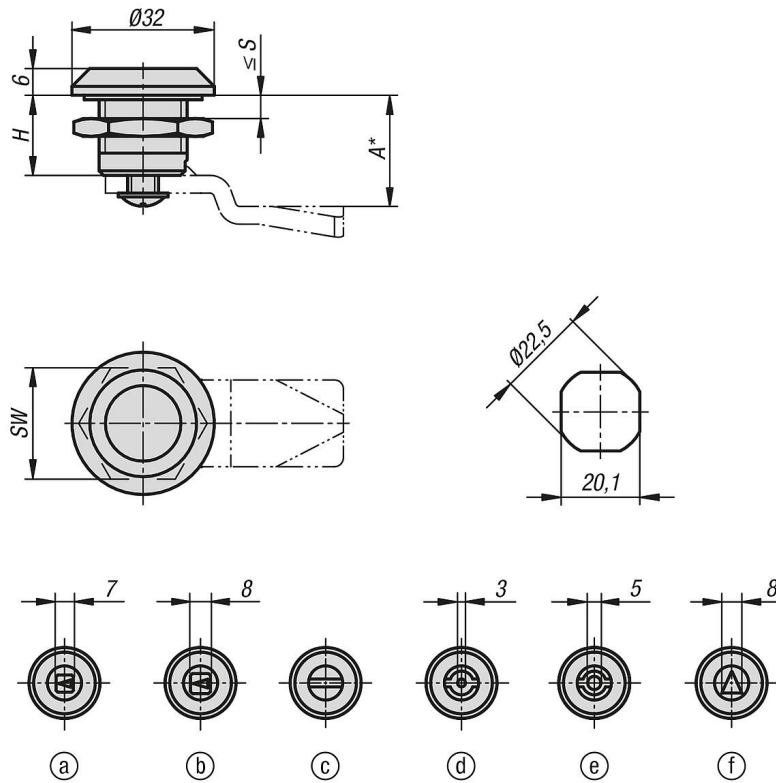
Key 05586.  
Tongue for steel quarter-turn lock 05569.

**Drawing reference:**

Actuation:

- a) square 7 mm
- b) square 8 mm
- c) slot
- d) double lug 3 mm
- e) double lug 5 mm
- f) triangle 8 mm

Drawings



Overview of items

Order No.	Actuation	H	SW	S max.
05567-17185	square 7 mm	18	27	8
05567-18185	square 8 mm	18	27	8
05567-20185	slot	18	27	8
05567-43185	double lug 3 mm	18	27	8
05567-45185	double lug 5 mm	18	27	8
05567-88185	triangle 8 mm	18	27	8