

Item description/product images



Description

Material:

Steel.

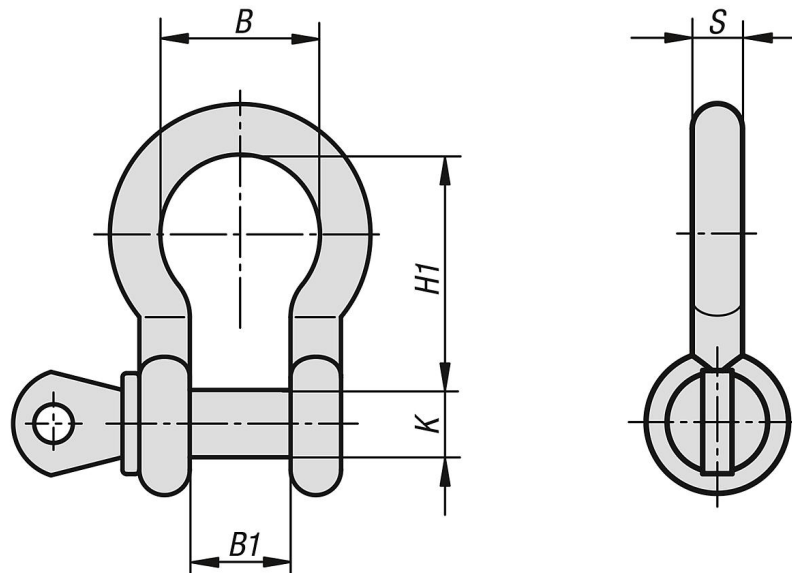
Version:

Bow form.

Note:

Shackles and bolts may vary in colour.
Paint may cause the thread to be stiff.

Drawings



Overview of items

Order No.	B	B1	S	K	H1	Inches	Permissible load kg
07715-0050008	19,8	12	6,4	8	28,7	1/4	500
07715-0075010	21,3	13	7,9	9,5	31	5/16	750
07715-0100011	26,2	16,8	9,6	11	36,5	3/8	1000
07715-0150012	29,5	19	11,2	12,7	43	7/16	1500
07715-0200016	33	20,6	12,7	16	48	1/2	2000
07715-0325019	42	27	16	19	60	5/8	3250
07715-0475022	51	31,8	19	22,2	71	3/4	4750
07715-0650025	58	36,6	22	25,4	84	7/8	6500
07715-0850028	68	43	25	28,5	95	1	8500

