

## Item description/product images



## Description

**Version:**

Black.

**Note:**

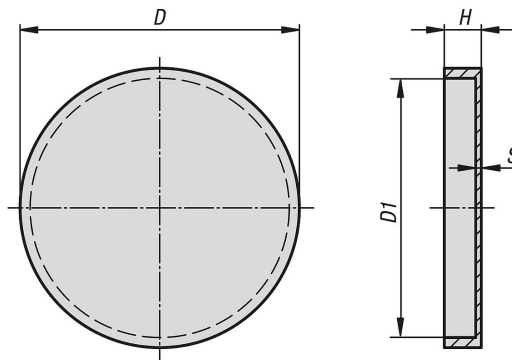
To protect sensitive surfaces. The protective rubber cap slips over the magnetic face of shallow pot magnets. The shear force required to move the magnet is doubled and achieves almost the original holding force of the magnet.

The protective rubber caps fit all shallow pot magnets with diameter 50, 63 and 80 mm.

**Temperature range:**

max. 60°C.

## Drawings



## Overview of items

Order No.	D	D1	H	S
09110-50	52	50	6	0,5
09110-63	65	63	8	0,5
09110-80	83	80	11	0,5