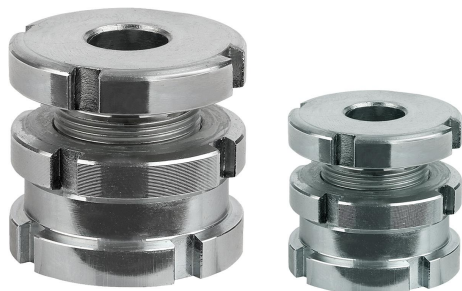


Item description/product images

**Description****Material:**

Steel 1.7225.
Stainless steel 1.4305.

Version:

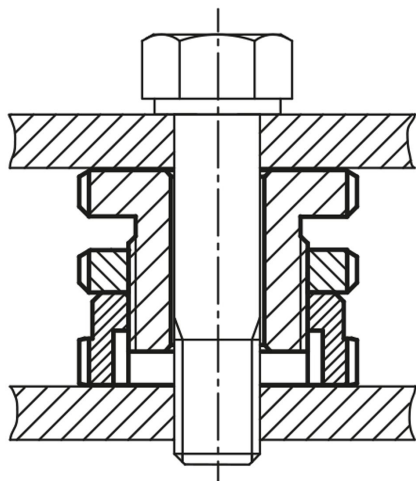
Steel version trivalent blue passivated.
Stainless steel version bright.

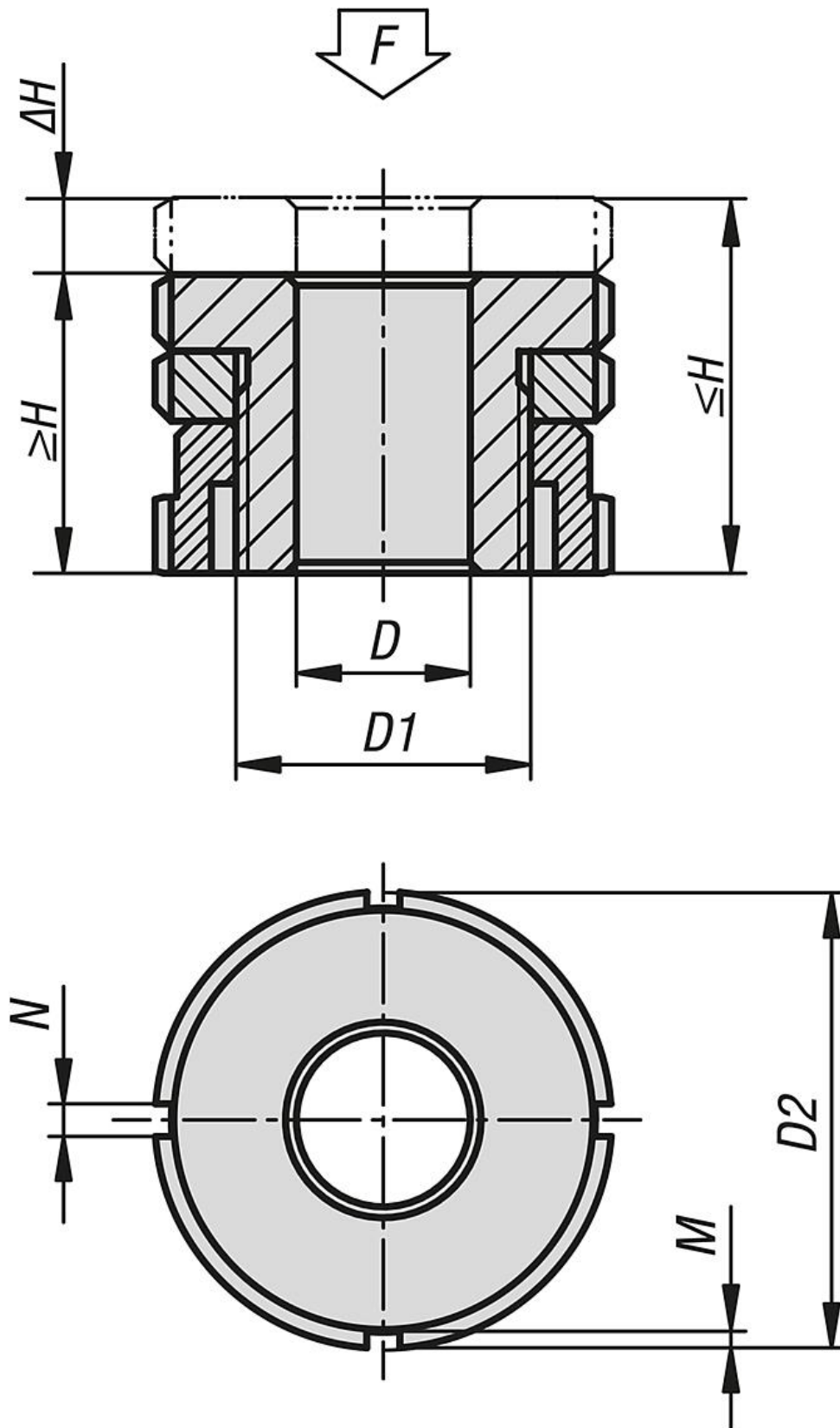
Note:

These low version levelling sets with locknut are used to mount and align motors, aggregates, drive units and production lines. The advantage is the low height. Alignments can be made quickly and easily even with several levelling points. Distortion-free mounting is guaranteed. The locknut secures a prescribed adjustment.

Accessory:

96650 Hook wrench with lug, DIN 1810A enhanced.





Overview of items

Order No.	Main material	D	for screw	D1	D2	H min.	H max.	ΔH	N	M	F kN	F1 kN
27703-0404	QT steel	4,5	M4	M15x1	25	20	24	4	4	2	40	36
27703-0405	QT steel	5,5	M5	M15x1	25	20	24	4	4	2	40	33,4
27703-0406	QT steel	6,6	M6	M15x1	25	20	24	4	4	2	40	30,7
27703-0506	QT steel	6,6	M6	M20x1	32	24	29	5	4	2	65	55,7
27703-0508	QT steel	9	M8	M20x1	32	24	29	5	4	2	65	48
27703-0510	QT steel	11	M10	M20x1	32	24	29	5	4	2	65	37,9
27703-0710	QT steel	11	M10	M30x1,5	45	29	36	7	5	2	120	92,9
27703-0712	QT steel	13,5	M12	M30x1,5	45	29	36	7	5	2	120	80,4
27703-0716	QT steel	17,5	M16	M30x1,5	45	29	36	7	5	2	120	45,5
27703-0916	QT steel	17,5	M16	M40x1,5	58	37	46	9	6	2,5	210	136
27703-0920	QT steel	22	M20	M40x1,5	58	37	46	9	6	2,5	210	90
27703-0924	QT steel	26	M24	M40x1,5	58	37	46	9	6	2,5	210	37
27703-1020	QT steel	22	M20	M50x1,5	70	44	54	10	6	2,5	330	210
27703-1024	QT steel	26	M24	M50x1,5	70	44	54	10	6	2,5	330	157
27703-1030	QT steel	33	M30	M50x1,5	70	44	54	10	6	2,5	330	53
27703-04041	stainless steel	4,5	M4	M15x1	25	20	24	4	4	2	27,1	24,14
27703-04051	stainless steel	5,5	M5	M15x1	25	20	24	4	4	2	27,1	22,24
27703-04061	stainless steel	6,6	M6	M15x1	25	20	24	4	4	2	27,1	20,26
27703-05061	stainless steel	6,6	M6	M20x1	32	24	29	5	4	2	43,4	36,56
27703-05081	stainless steel	9	M8	M20x1	32	24	29	5	4	2	43,4	30,86
27703-05101	stainless steel	11	M10	M20x1	32	24	29	5	4	2	43,4	23,41
27703-07101	stainless steel	11	M10	M30x1,5	45	29	36	7	5	2	84	64,01
27703-07121	stainless steel	13,5	M12	M30x1,5	45	29	36	7	5	2	84	54,82
27703-07161	stainless steel	17,5	M16	M30x1,5	45	29	36	7	5	2	84	28,9
27703-09161	stainless steel	17,5	M16	M40x1,5	58	37	46	9	6	2,5	148	92,9
27703-09201	stainless steel	22	M20	M40x1,5	58	37	46	9	6	2,5	148	59,08
27703-09241	stainless steel	26	M24	M40x1,5	58	37	46	9	6	2,5	148	20,3
27703-10201	stainless steel	22	M20	M50x1,5	70	44	54	10	6	2,5	225	136,08
27703-10241	stainless steel	26	M24	M50x1,5	70	44	54	10	6	2,5	225	97,3
27703-10301	stainless steel	33	M30	M50x1,5	70	44	54	10	6	2,5	225	20,6