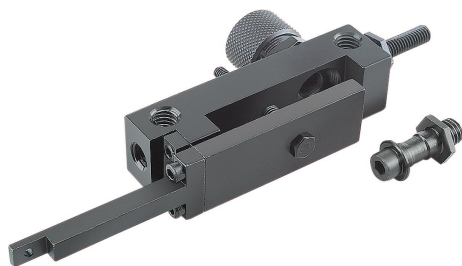


Item description/product images



Description

Material:

Body aluminium.
 Probe lever investment cast steel.

Version:

Body black anodised.
 Probe lever black oxidised.

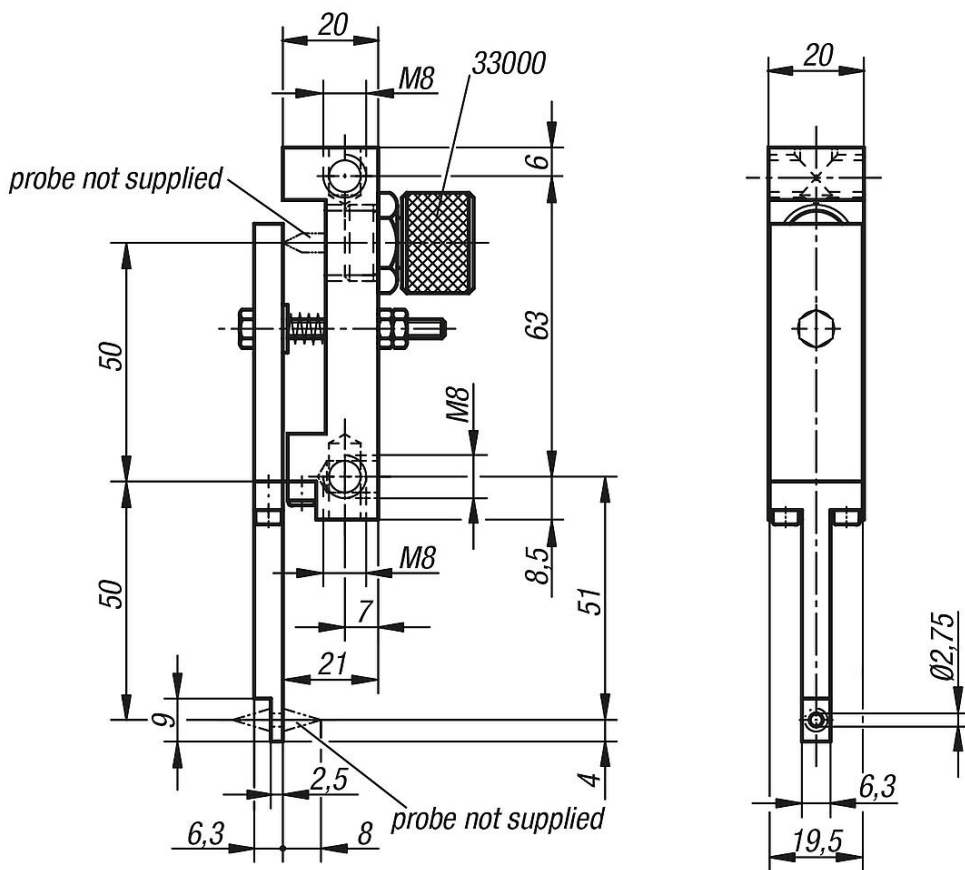
Note:

To alter the probe direction and mounting of the deflection dial gauge holder with the fastening adaptors (supplied) see technical information.

Accessory:

Dial gauges see 32540 and 32542.
 Probe inserts see 33040 to 33052.

Drawings



Overview of items

Order No.	Dimensions
33076-050	see drawing

