

Item description/product images



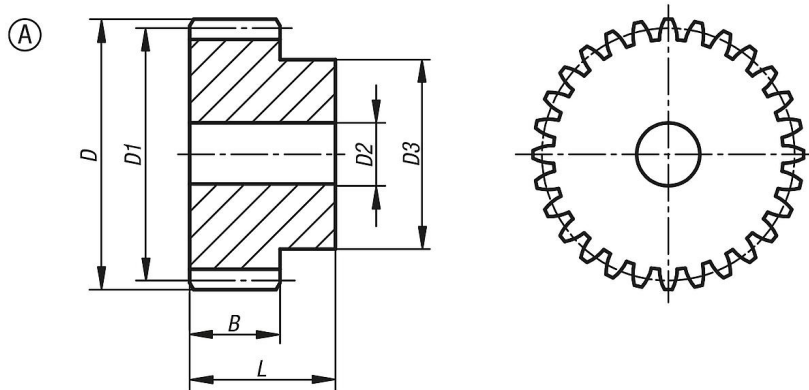
Description

Material:
Steel 1.0503 (C45).

Version:
Milled tooting, straight teeth
Tooting inductively hardened to 50 +4 HRC.
engagement angle 20°, bright.

Note:
Hardening changes the tooting quality to ca. 10-11.
The spur gears have a centre or pilot hole.

Drawings



Overview of items

Order No.	Form	Form definition	Module	No. of teeth	B	D	D1	D2 max.	D3	L
22401-0160600012	A	with hub	6	12	60	84	72	20	54	80
22401-0160600015	A	with hub	6	15	60	102	90	20	70	80
22401-0160600016	A	with hub	6	16	60	108	95	20	75	80
22401-0160600018	A	with hub	6	18	60	120	108	20	80	80
22401-0160600020	A	with hub	6	20	60	132	120	20	90	80
22401-0160600024	A	with hub	6	24	60	156	144	25	110	80
22401-0160600025	A	with hub	6	25	60	162	150	25	110	80