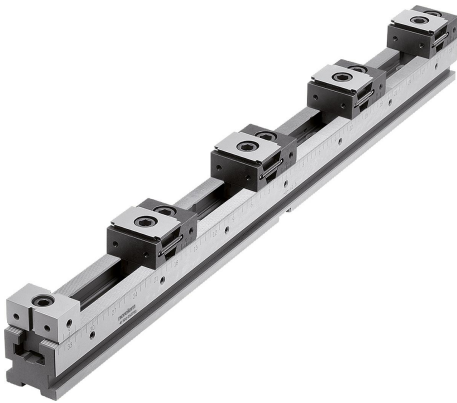


Item description/product images



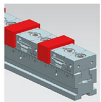
Maximum workpiece sizes for the types wedge clamp with fixed jaw

Clamping rails	1 pcs.		2 pcs.	
	B=50	B=50	B=50	B=50
L=300	203		88	
L=400	302		118	
L=500	404		169	
L=600	503		218	
L=700	602		269	

Clamping rails	3 pcs.		4 pcs.	
	B=50	B=50	B=50	B=50
L=300	23	-	-	-
L=400	56	26	-	-
L=500	90	51	51	51
L=600	123	76	76	76
L=700	156	101	101	101

Clamping rails	5 pcs.		6 pcs.	
	B=50	B=50	B=50	B=50
L=300	-	-	-	-
L=400	7	-	-	-
L=500	27	12	12	12
L=600	47	29	29	29
L=700	67	45	45	45

Clamping rails	7 pcs.		8 pcs.	
	B=50	B=50	B=50	B=50
L=300	-	-	-	-
L=400	-	-	-	-
L=500	-	-	-	-
L=600	15	5	5	5
L=700	29	17	17	17



Combination of clamping rails for multi-clamping system 41500.
Wedge clamp with fixed jaw for multi-clamping system 41501-05 and 1x fixed jaw ES for multi-clamping system 41502.

Description

Material:

Clamping rail and fixed jaw tool steel.
Wedge clamp mild steel.

Version:

Clamping rail and fixed jaw hardened and ground (HRC 55 ±2).
Wedge clamp hardened, phosphated.

Note:

The multi-clamping system can be fastened using various interfaces.

1. Lateral clamping edge for clamping claw set. Claw clamps can be fastened at any position.
2. Holes for DIN cap screws.
3. Ø25 mm locating holes for conventional zero-point clamping systems with 200 mm spacing.
4. Ø16 mm locating holes for zero-point clamping systems with 96 mm spacing.
5. Three 18H7 alignment slots for crosswise and lengthwise alignment on T- slot tables.
6. Ø12F7 and Ø16F7 reamed holes for 40 and 50 mm grid systems.

Three different versions are available:

- Multi-clamping system double-sided wedge clamp with OS fixed jaw / 41510.
- Multi-clamping system double-sided wedge clamp with DS fixed jaw / 41510-10.
- Multi-clamping system single-sided wedge clamp with OS fixed jaw / 41510-20.

Application:

A number of multi-clamping systems with different lengths can be mounted one behind the other or beside each other. The precision toothing enables highly precise positioning of the fixed jaws. Due to the lateral graduations on the clamping rails, each position of the fixed jaws can be documented and reset identically. Stops can be mounted in the tapped holes on the side.

Turning the clamping screw moves the clamping segments outwards and press the workpieces against the fixed jaw.

Advantages:

Universal and flexible.

For small and large batch sizes.

Large components can also be clamped next to each other on several multiple clamping systems.

Supplied with:

- 1x clamping rail.
- 3x single-sided wedge clamps.
- 1x fixed jaw ES.

Accessory:

Clamping pin 42208.

Cap screws 07160-10X30.

Cap screws 07160-12X25.

Shoulder screws 07533-12045 / 07533-16055.

Seating ledges 41505.

Attachment jaws with machining allowance 41505-02.

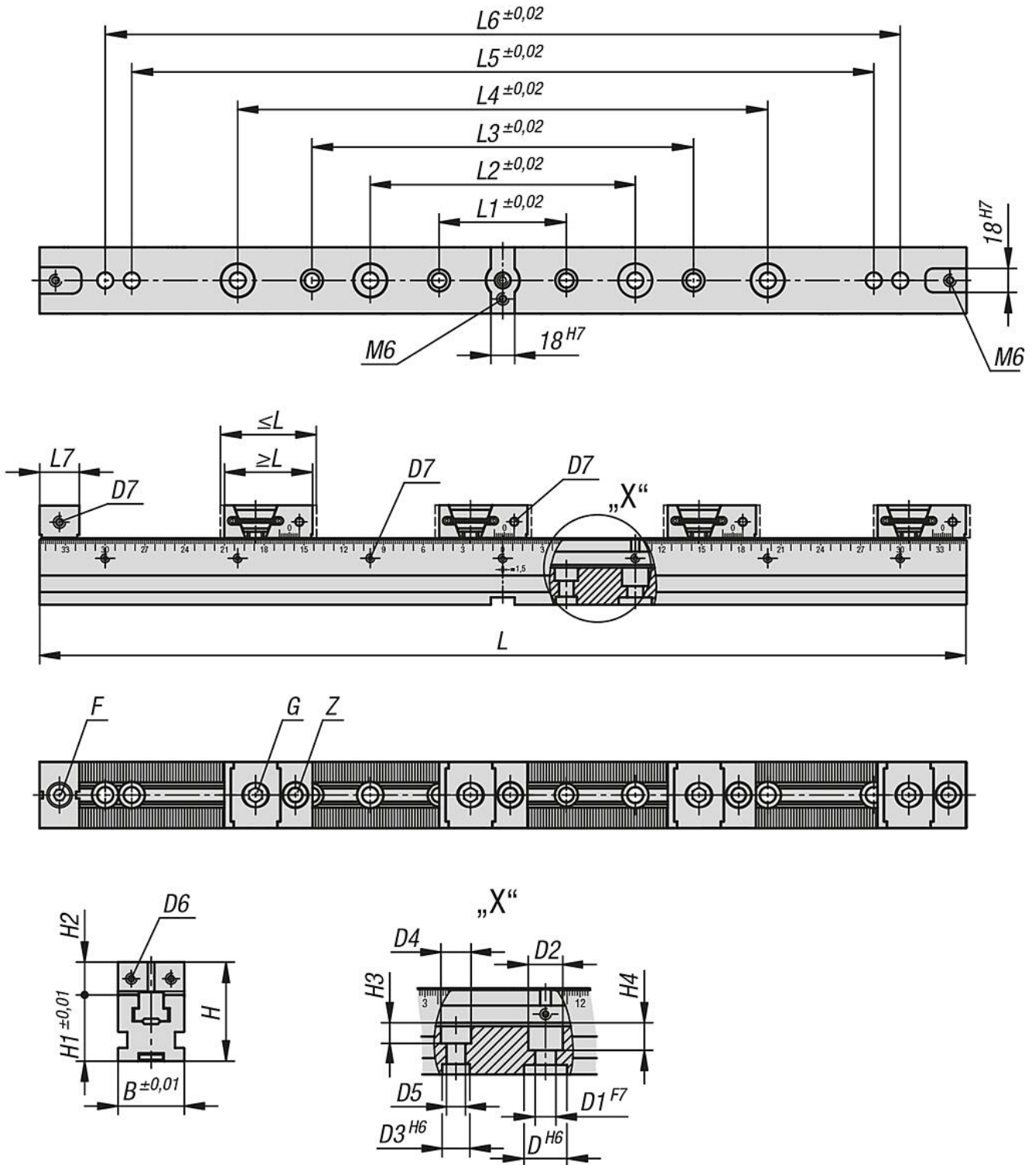
Attachment jaws with prism 41505-04.

Workpiece stop 41505-10.

Item description/product images

Spacer 41505-12.
 Clamping claw set 41505-15.
 T-slot nut 41505-17.
 T-slot key 03240.

Drawings



Overview of items

Order No.	Version 1	L	B	H	L min.	L max.	L1	L2	L3	L4	L5	L6	L7
41510-20-05040001	smooth	400	50	75	64	70	96	200	288	300	-	-	30
41510-20-05050001	smooth	500	50	75	64	70	96	200	288	400	-	-	30
41510-20-05060001	smooth	600	50	75	64	70	96	200	288	400	500	-	30
41510-20-05070001	smooth	700	50	75	64	70	96	200	288	400	560	600	30
41510-20-05040002	serrated	400	50	75	64	70	96	200	288	300	-	-	30
41510-20-05050002	serrated	500	50	75	64	70	96	200	288	400	-	-	30
41510-20-05060002	serrated	600	50	75	64	70	96	200	288	400	500	-	30
41510-20-05070002	serrated	700	50	75	64	70	96	200	288	400	560	600	30

Order No.	Version 1	D	D1	D2	D3	D4	D5	D6	D7	H1	H2	H3	H4	F Socket head screw DIN 912	G cap screw DIN 912	Z cap screw DIN 912
41510-20-05040001	smooth	25	12	20	16	17,5	11	M5	M6	50	25	12	16	M10x30	M12x25	M12x30
41510-20-05050001	smooth	25	12	20	16	17,5	11	M5	M6	50	25	12	16	M10x30	M12x25	M12x30
41510-20-05060001	smooth	25	12	20	16	17,5	11	M5	M6	50	25	12	16	M10x30	M12x25	M12x30
41510-20-05070001	smooth	25	12	20	16	17,5	11	M5	M6	50	25	12	16	M10x30	M12x25	M12x30
41510-20-05040002	serrated	25	12	20	16	17,5	11	M5	M6	50	25	12	16	M10x30	M12x25	M12x30
41510-20-05050002	serrated	25	12	20	16	17,5	11	M5	M6	50	25	12	16	M10x30	M12x25	M12x30
41510-20-05060002	serrated	25	12	20	16	17,5	11	M5	M6	50	25	12	16	M10x30	M12x25	M12x30
41510-20-05070002	serrated	25	12	20	16	17,5	11	M5	M6	50	25	12	16	M10x30	M12x25	M12x30