

Description

Product description:

Indexing plungers are used where it is necessary to prevent changes of position due to lateral forces.

Some examples of this are for length, height and position locking in machines, equipment, furniture and special vehicle construction.

With indexing plungers with status sensor, the actuation status can be detected and evaluated electronically. The connection, e.g. to a machine control system, is hard wired via the connection cable of the integrated sensor.

Material:

Steel version:

Grub screw and indexing pin steel.

Stainless steel version:

Indexing pin hardened:

Threaded sleeve 1.4305.

Indexing pin 1.4034.

Indexing pin not hardened:

Threaded sleeve 1.4305.

Indexing pin 1.4305.

Mushroom grip black grey thermoplastic.

Version:

Steel version:

Threaded sleeve, black oxidised.

Indexing pin hardened, ground and black oxidised.

Stainless steel version:

Threaded sleeve, bright.

Indexing pin hardened, ground and bright.

Indexing pin not hardened, ground and bright.

Note:

The status sensor switches when it engages after S - 1 mm travel.

Technical data:

Inductive sensor:

Output circuit: PNP NO

Operating voltage: 6 - 30 V DC

Operating current: <100 mA

Contact gap: 1 mm

Switch frequency: <4000 Hz

Short-circuit proof: yes

Reverse polarity protection: yes

Rating: IP 67

Connection type: 2 m PVC cable

Temperature range: -10 °C - +70 °C

Approvals: CE, c UL us, EAC

Application:

Item description/product images

Indexing plungers with status sensor allow actuation-dependent process control. It is also possible to ensure that the indexing pin is in the desired actuation status.

Safety:

Indexing plungers with status sensor are not suitable for personnel safety functions.

Drawing reference:

Form A: non-lockout type, without locknut

Form B: non-lockout type, with locknut

Form C: lockout type, without locknut

Form D: lockout type, with locknut

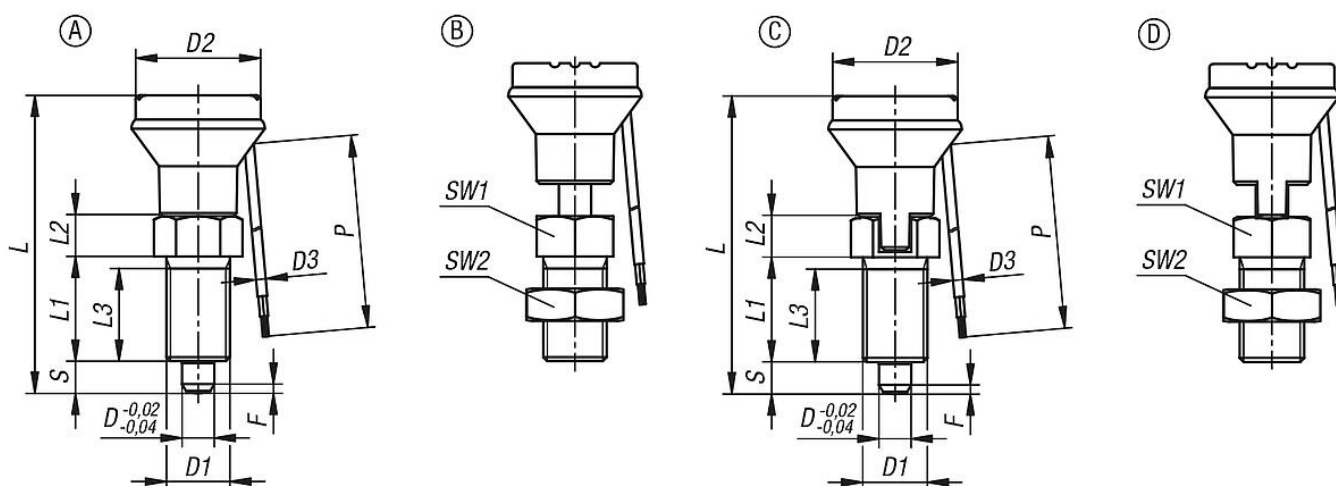
P = cable length

BN = brown

BK = black

BU = blue

Drawings



Overview of items

Order No.	Form	Main material	locating pin	D	D1	D2	D3	L	L1	L2	L3	Travel S	SW1	SW2	Fx30°	P	Spring force initial pressure F1 approx. N	Spring force final pressure F2 approx. N
03090-20-11051	A	steel	hardened	5	M10x1	25	2,4	51	17	7	15	5	13	-	1,3	2000	5	12
03090-20-12061	A	steel	hardened	6	M12x1,5	25	2,4	56	20	8	17	6	14	-	1,8	2000	6	14
03090-20-13081	A	steel	hardened	8	M16x1,5	33	2,4	74	26	10	23	8	19	-	2,3	2000	15	35
03090-20-14101	A	steel	hardened	10	M20x1,5	33	2,4	80	28	12	25	10	22	-	2,8	2000	15	34
03090-20-14121	A	steel	hardened	12	M20x1,5	33	2,4	84	28	14	25	12	22	-	2,8	2000	15	39
03090-20-011051	A	stainless steel	hardened	5	M10x1	25	2,4	51	17	7	15	5	13	-	1,3	2000	5	12
03090-20-012061	A	stainless steel	hardened	6	M12x1,5	25	2,4	56	20	8	17	6	14	-	1,8	2000	6	14
03090-20-013081	A	stainless steel	hardened	8	M16x1,5	33	2,4	74	26	10	23	8	19	-	2,3	2000	15	35
03090-20-014101	A	stainless steel	hardened	10	M20x1,5	33	2,4	80	28	12	25	10	22	-	2,8	2000	15	34
03090-20-014121	A	stainless steel	hardened	12	M20x1,5	33	2,4	84	28	14	25	12	22	-	2,8	2000	15	39
03090-20-111051	A	stainless steel	not hardened	5	M10x1	25	2,4	51	17	7	15	5	13	-	1,3	2000	5	12
03090-20-112061	A	stainless steel	not hardened	6	M12x1,5	25	2,4	56	20	8	17	6	14	-	1,8	2000	6	14
03090-20-113081	A	stainless steel	not hardened	8	M16x1,5	33	2,4	74	26	10	23	8	19	-	2,3	2000	15	35
03090-20-114101	A	stainless steel	not hardened	10	M20x1,5	33	2,4	80	28	12	25	10	22	-	2,8	2000	15	34
03090-20-114121	A	stainless steel	not hardened	12	M20x1,5	33	2,4	84	28	14	25	12	22	-	2,8	2000	15	39
03090-20-21051	B	steel	hardened	5	M10x1	25	2,4	51	17	7	15	5	13	17	1,3	2000	5	12
03090-20-22061	B	steel	hardened	6	M12x1,5	25	2,4	56	20	8	17	6	14	19	1,8	2000	6	14
03090-20-23081	B	steel	hardened	8	M16x1,5	33	2,4	74	26	10	23	8	19	24	2,3	2000	15	35

03090-20 Indexing plungers steel or stainless steel with plastic mushroom grip and status sensor, hardwired



Overview of items

Order No.	Form	Main material	locating pin	D	D1	D2	D3	L	L1	L2	L3	Travel S	SW1	SW2	Fx30°	P	Spring force initial pressure F1 approx. N	Spring force final pressure F2 approx. N
03090-20-24101	B	steel	hardened	10	M20x1,5	33	2,4	80	28	12	25	10	22	30	2,8	2000	15	34
03090-20-24121	B	steel	hardened	12	M20x1,5	33	2,4	84	28	14	25	12	22	30	2,8	2000	15	39
03090-20-021051	B	stainless steel	hardened	5	M10x1	25	2,4	51	17	7	15	5	13	17	1,3	2000	5	12
03090-20-022061	B	stainless steel	hardened	6	M12x1,5	25	2,4	56	20	8	17	6	14	19	1,8	2000	6	14
03090-20-023081	B	stainless steel	hardened	8	M16x1,5	33	2,4	74	26	10	23	8	19	24	2,3	2000	15	35
03090-20-024101	B	stainless steel	hardened	10	M20x1,5	33	2,4	80	28	12	25	10	22	30	2,8	2000	15	34
03090-20-024121	B	stainless steel	hardened	12	M20x1,5	33	2,4	84	28	14	25	12	22	30	2,8	2000	15	39
03090-20-121051	B	stainless steel	not hardened	5	M10x1	25	2,4	51	17	7	15	5	13	17	1,3	2000	5	12
03090-20-122061	B	stainless steel	not hardened	6	M12x1,5	25	2,4	56	20	8	17	6	14	19	1,8	2000	6	14
03090-20-123081	B	stainless steel	not hardened	8	M16x1,5	33	2,4	74	26	10	23	8	19	24	2,3	2000	15	35
03090-20-124101	B	stainless steel	not hardened	10	M20x1,5	33	2,4	80	28	12	25	10	22	30	2,8	2000	15	34
03090-20-124121	B	stainless steel	not hardened	12	M20x1,5	33	2,4	84	28	14	25	12	22	30	2,8	2000	15	39
03090-20-31051	C	steel	hardened	5	M10x1	25	2,4	51	17	7	15	5	13	-	1,3	2000	5	12
03090-20-32061	C	steel	hardened	6	M12x1,5	25	2,4	56	20	8	17	6	14	-	1,8	2000	6	14
03090-20-33081	C	steel	hardened	8	M16x1,5	33	2,4	74	26	10	23	8	19	-	2,3	2000	15	35
03090-20-34101	C	steel	hardened	10	M20x1,5	33	2,4	80	28	12	25	10	22	-	2,8	2000	15	34
03090-20-34121	C	steel	hardened	12	M20x1,5	33	2,4	84	28	14	25	12	22	-	2,8	2000	15	39
03090-20-031051	C	stainless steel	hardened	5	M10x1	25	2,4	51	17	7	15	5	13	-	1,3	2000	5	12
03090-20-032061	C	stainless steel	hardened	6	M12x1,5	25	2,4	56	20	8	17	6	14	-	1,8	2000	6	14
03090-20-033081	C	stainless steel	hardened	8	M16x1,5	33	2,4	74	26	10	23	8	19	-	2,3	2000	15	35
03090-20-034101	C	stainless steel	hardened	10	M20x1,5	33	2,4	80	28	12	25	10	22	-	2,8	2000	15	34
03090-20-034121	C	stainless steel	hardened	12	M20x1,5	33	2,4	84	28	14	25	12	22	-	2,8	2000	15	39
03090-20-132061	C	stainless steel	not hardened	6	M12x1,5	25	2,4	56	20	8	17	6	14	-	1,8	2000	6	14
03090-20-131051	C	stainless steel	not hardened	5	M10x1	25	2,4	51	17	7	15	5	13	-	1,3	2000	5	12
03090-20-133081	C	stainless steel	not hardened	8	M16x1,5	33	2,4	74	26	10	23	8	19	-	2,3	2000	15	35
03090-20-134101	C	stainless steel	not hardened	10	M20x1,5	33	2,4	80	28	12	25	10	22	-	2,8	2000	15	34
03090-20-134121	C	stainless steel	not hardened	12	M20x1,5	33	2,4	84	28	14	25	12	22	-	2,8	2000	15	39
03090-20-41051	D	steel	hardened	5	M10x1	25	2,4	51	17	7	15	5	13	17	1,3	2000	5	12
03090-20-42061	D	steel	hardened	6	M12x1,5	25	2,4	56	20	8	17	6	14	19	1,8	2000	6	14
03090-20-43081	D	steel	hardened	8	M16x1,5	33	2,4	74	26	10	23	8	19	24	2,3	2000	15	35
03090-20-44101	D	steel	hardened	10	M20x1,5	33	2,4	80	28	12	25	10	22	30	2,8	2000	15	34
03090-20-44121	D	steel	hardened	12	M20x1,5	33	2,4	84	28	14	25	12	22	30	2,8	2000	15	39
03090-20-041051	D	stainless steel	hardened	5	M10x1	25	2,4	51	17	7	15	5	13	17	1,3	2000	5	12
03090-20-042061	D	stainless steel	hardened	6	M12x1,5	25	2,4	56	20	8	17	6	14	19	1,8	2000	6	14
03090-20-043081	D	stainless steel	hardened	8	M16x1,5	33	2,4	74	26	10	23	8	19	24	2,3	2000	15	35
03090-20-044101	D	stainless steel	hardened	10	M20x1,5	33	2,4	80	28	12	25	10	22	30	2,8	2000	15	34
03090-20-044121	D	stainless steel	hardened	12	M20x1,5	33	2,4	84	28	14	25	12	22	30	2,8	2000	15	39
03090-20-142061	D	stainless steel	not hardened	6	M12x1,5	25	2,4	56	20	8	17	6	14	19	1,8	2000	6	14
03090-20-141051	D	stainless steel	not hardened	5	M10x1	25	2,4	51	17	7	15	5	13	17	1,3	2000	5	12
03090-20-143081	D	stainless steel	not hardened	8	M16x1,5	33	2,4	74	26	10	23	8	19	24	2,3	2000	15	35
03090-20-144101	D	stainless steel	not hardened	10	M20x1,5	33	2,4	80	28	12	25	10	22	30	2,8	2000	15	34
03090-20-144121	D	stainless steel	not hardened	12	M20x1,5	33	2,4	84	28	14	25	12	22	30	2,8	2000	15	39