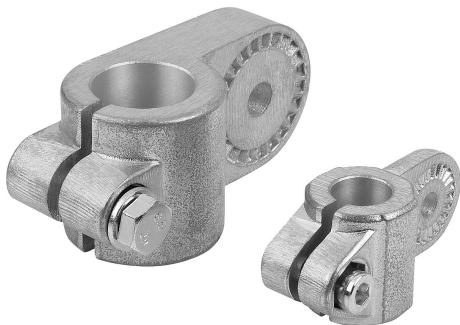


## Item description/product images



## Description

**Material:**

Cast aluminium.  
Screws and nuts steel.

**Version:**

Vibratory ground.  
Screws and nuts electro zinc-plated.

**Note:**

Swivel half clamps with sunken teeth can be combined with swivel half clamps with raised teeth (29026) to make a complete swivel clamp.

Max. torque when tightening the lockscrew:

M6: 10 Nm.  
M8: 25 Nm.  
M10: 50 Nm.

**On request:**

Clamping levers for tightening.

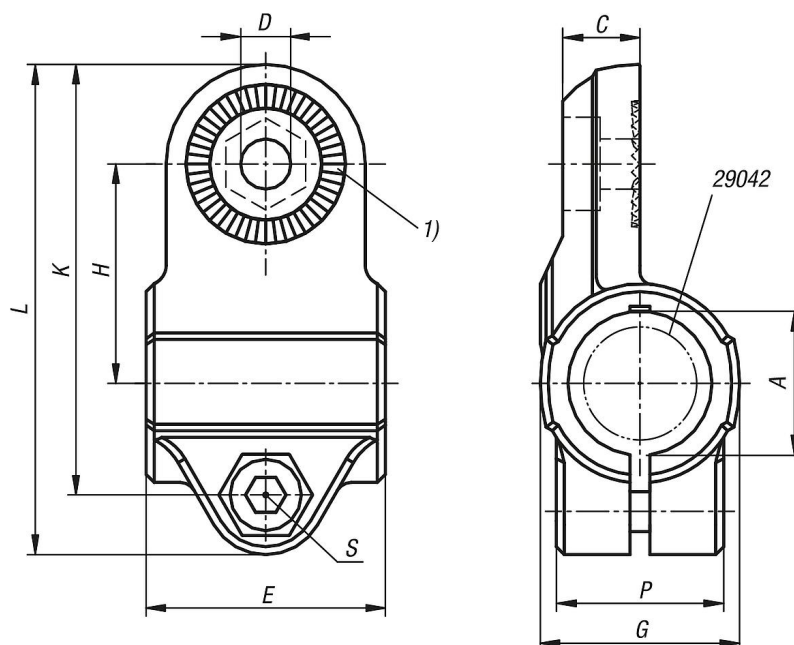
**Accessory:**

- Hex nut DIN 985
- Hex head bolt DIN 933
- Cap screw DIN 6912

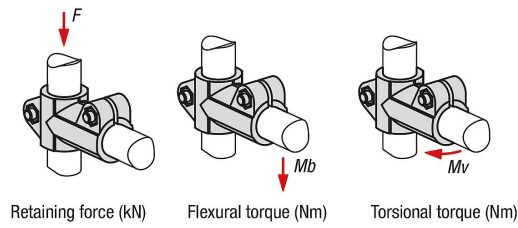
**Drawing reference:**

1) 15° toothing

## Drawings



Drawings



Overview of items

Order No.	A	C	D	E	G	H	K	L	P	S	F kN	Mb (Nm)	Mv (Nm)
29028-512	12,1	10,5	7,5	30	26	27	56	64,5	21	M6	2,7	38	15
29028-514	14,1	10,5	7,5	30	26	27	56	64,5	21	M6	2,7	38	15
29028-516	16,1	10,5	7,5	30	26	27	56	64,5	21	M6	2,7	38	15
29028-518	18,1	10,5	7,5	30	26	27	56	64,5	21	M6	2,7	38	15
29028-520	20	16	9	40	40	43	85	93	33	M8	6	133	85
29028-525	25,1	16	9	40	40	43	85	93	33	M8	6	133	85
29028-530	30,1	16	9	40	40	43	85	93	33	M8	6	133	85
29028-540	40,2	22	11	56	56	60	116	128	48	M10	5,8	264	138