

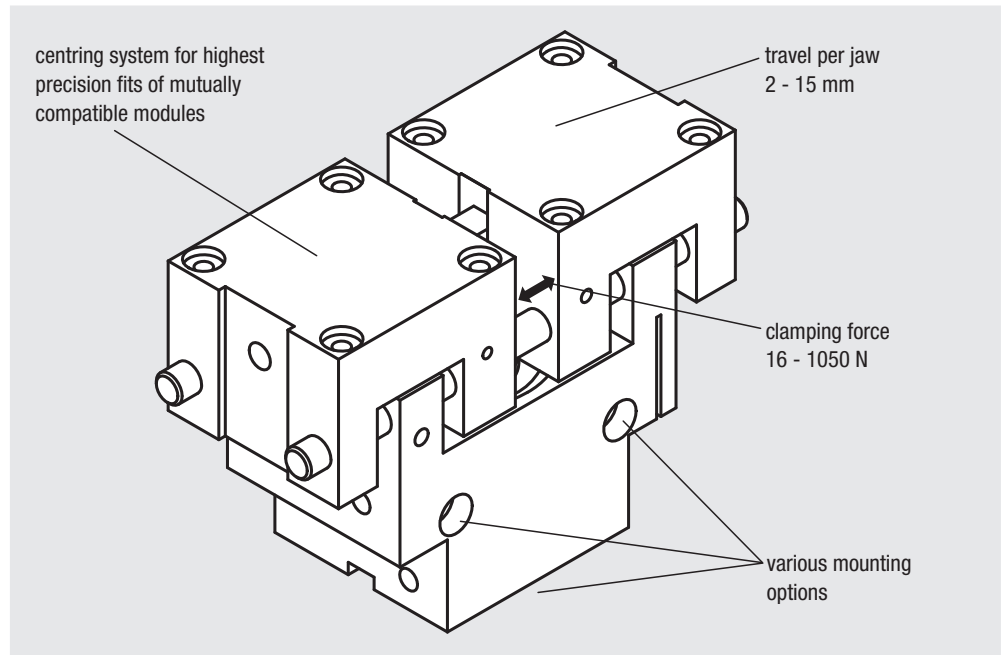
# Technical information for grip modules

Grip modules can be mounted in any position. The applications for pneumatic grip modules in assembly and machining are almost limitless.

These components can manage a multitude of functions such as centring, feeding, transposing and loading.

The standardised fastening holes allow diverse combinations with our other units.

- workpiece weight 0.08 kg – 4.74 kg.
- also for particularly robust use.
- grip force feedback - open, closed, part gripped.
- steel slide – hardened and ground for universal use and long life.



Overview	
Type	Parallel grippers
Guidance	Steel slides
Design	robust
Travel per jaw (mm)	2 - 15
Clamping force at 6 bar (N)	16 - 1050
Workpiece weight (kg)	0,08 - 4,74
Finger length max. (mm)	15 - 140
Operating principle	Link rod kinematics
Application	Universal application in clean and lightly contaminated environments
norelem	20100