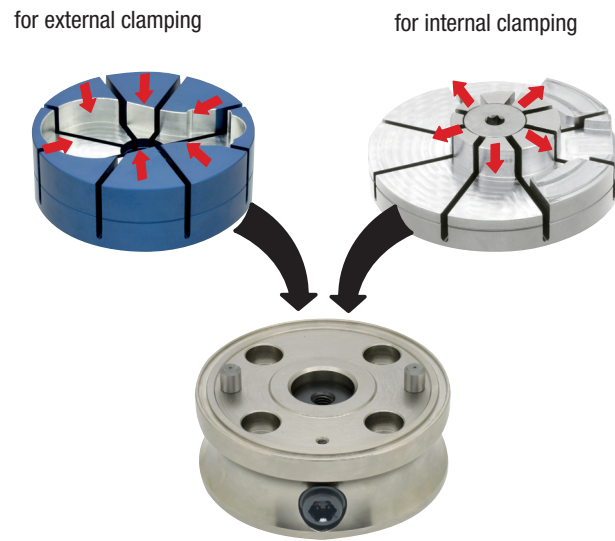
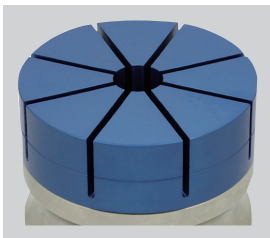


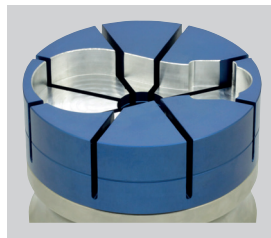
Technical information for collets



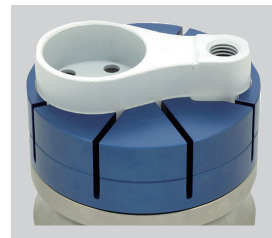
for external clamping



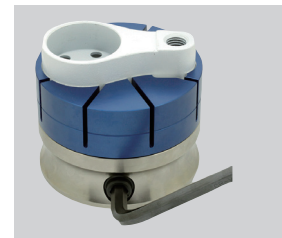
1. Prepare collet



2. Machine collet

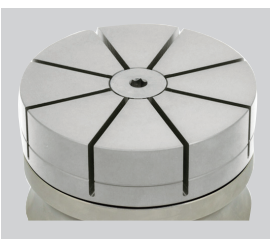


3. Position workpiece

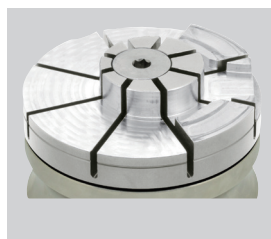


4. Tighten cam cylinder

for internal clamping



1. Prepare collet



2. Machine collet



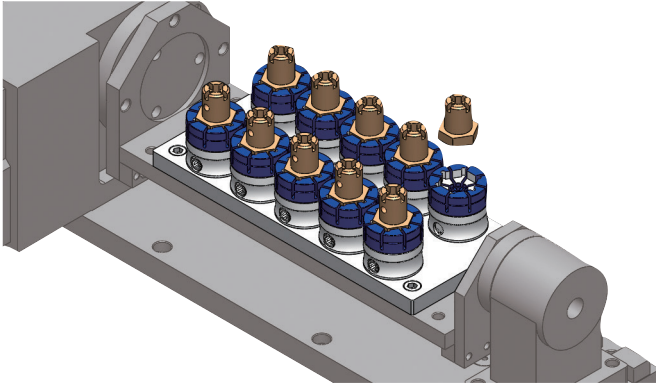
3. Position workpiece



4. Tighten cam cylinder

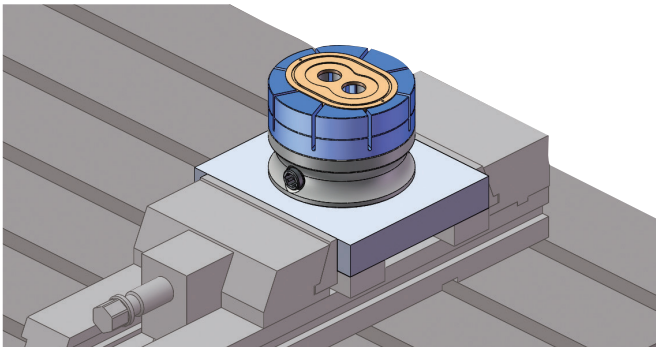
Technical information for collets

Series clamping



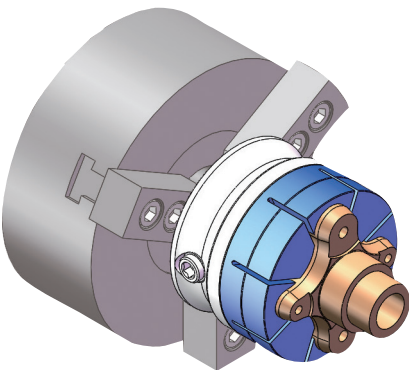
Small OD allows clamping in series with a limited space.

Fixture for individual parts



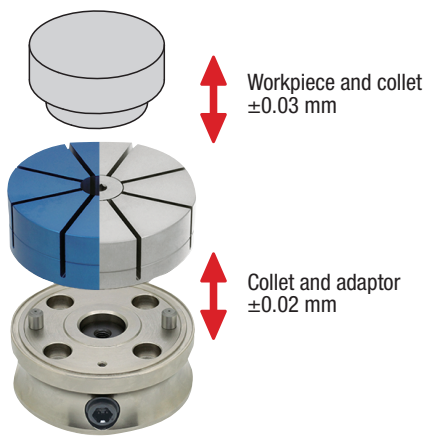
Clamp in a vice by mounting on a plate.

Fixture for lathe chuck

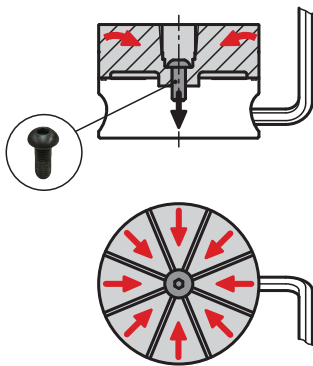


Can hold complex forms which are impossible for a 3 jaw chuck.

Technical information for collets



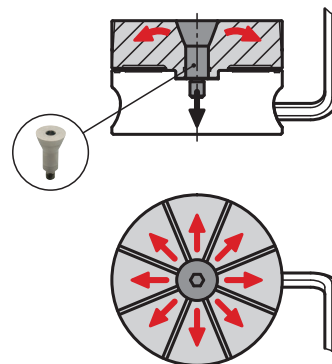
Force effect:



Collet segment travel:
0.3mm in diameter

When the cam cylinder is tightened, the the collet is drawn down.

At the same time the 8 collet segments tilt towards the centre and clamp the workpiece.



Collet segment travel:
0.3mm in diameter

When the clamping cylinder is tightened, the traction cone is pulled downwards (positive down force).

At the same time, the 8 collet segments tilt outwards from the centre and the workpiece is clamped.