

Item description/product images



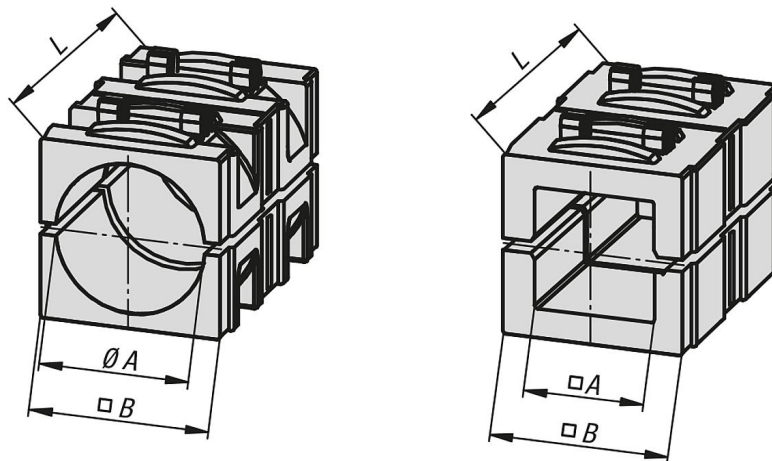
Description

**Material:**  
Thermoplastic.

**Version:**  
black.

**Note:**  
Reducer sleeves are for clamping smaller tubes or where a conversion of square to round tubes is required.

Drawings



Overview of items

Order No.	Version 2	A	B	L
29040-03020	for round tubes	Ø 20,25	30,3	45
29040-03025	for round tubes	Ø 25,25	30,3	45
29040-03030	for round tubes	Ø 30,25	30,3	45
29040-13020	for square tubes	20,5	30,3	45
29040-13025	for square tubes	25,5	30,3	45