

## Item description/product images

**Description****Material:**

Outer jacket stainless steel.

Cage stainless steel.

Balls stainless steel.

**Note:**

The linear ball bearings correspond to series 3 of ISO 10285. With double-sided seals and a stainless steel cage. The bearing is secured with DIN 471/472 circlips.

Recommended tolerances:

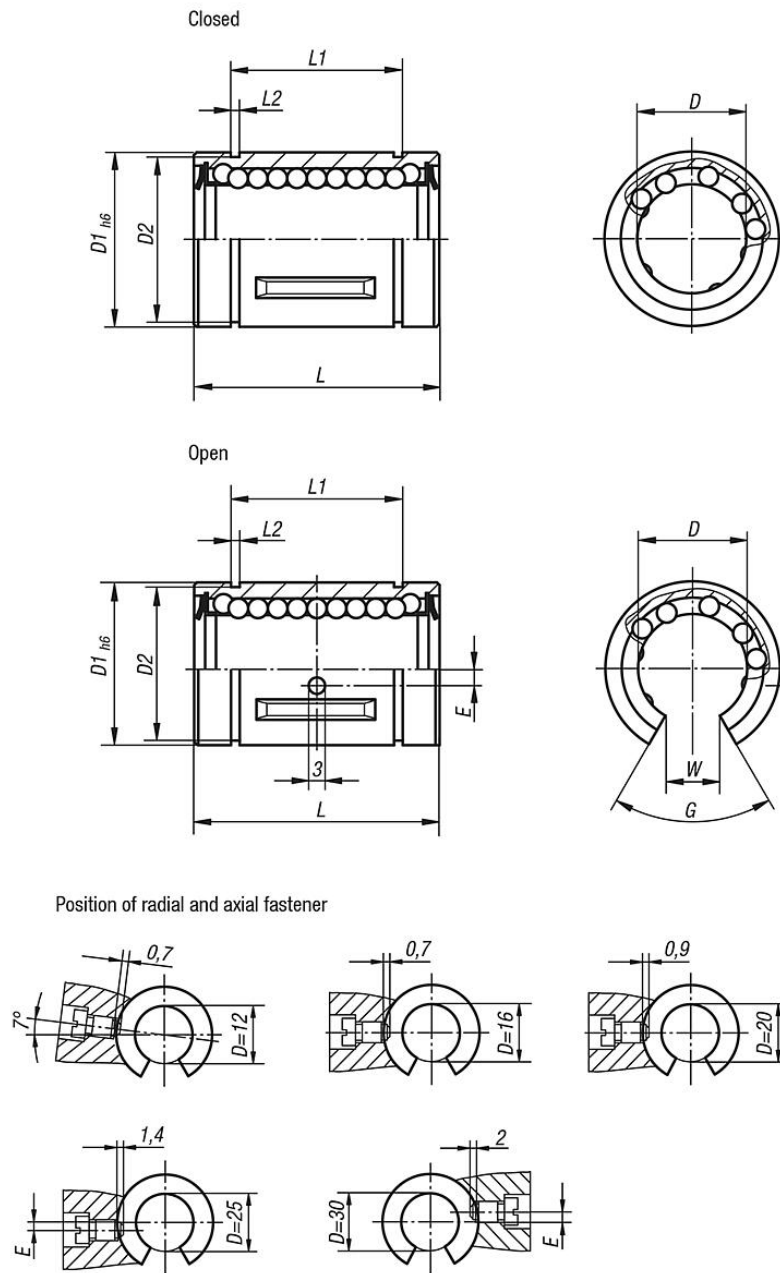
Shaft: h6

Housing: H7

Linear ball bearings with double-sided seals should be greased before installation.

The specified load ratings apply with the use of hardened and ground shafts.

Drawings



Overview of items

Order No.	Version 2	D	D1	D2	G	E	L	L1	L2	W	Dynamic load rating N	Static load rating N
21505-01-1202	closed	12	22	21	-	-	32 -0,2	22,9 -0,2	1,3	-	420	714
21505-01-1602	closed	16	26	24,9	-	-	36 -0,2	24,9 -0,2	1,3	-	686	1092
21505-01-2002	closed	20	32	30,3	-	-	45 -0,2	31,5 -0,2	1,6	-	924	1610
21505-01-2502	closed	25	40	37,5	-	-	58 -0,3	44,1 -0,3	1,85	-	1470	2590
21505-01-3002	closed	30	47	44,5	-	-	68 -0,3	52,1 -0,3	1,85	-	2100	3920
21505-01-1212	open	12	22	21	78°	1,35	32 -0,2	22,9 -0,2	1,3	7,5	420	714
21505-01-1612	open	16	26	24,9	78°	0	36 -0,2	24,9 -0,2	1,3	10	686	1092
21505-01-2012	open	20	32	30,3	60°	0	45 -0,2	31,5 -0,2	1,6	10	924	1610
21505-01-2512	open	25	40	37,5	60°	1,5	58 -0,3	44,1 -0,3	1,85	12,5	1470	2590
21505-01-3012	open	30	47	44,5	50°	2	68 -0,3	52,1 -0,3	1,85	12,5	2100	3920

