



Description

Product description:

Heavy-duty swing clamps with extended clamping travel are highly suitable for automated clamping processes.

At the start of the clamping process, the clamping arm performs a 90° swing movement along the integrated control cam. When this movement is completed, the linear down clamping travel is carried out.

Material:

Carbon steel.

Version:

Body black oxidised.

Shaft tempered and black oxidised.

Clamping arm tempered and black oxidised.

Type of operation:

Actuated using a hammer driver with adjustable torque or manually using a clamping key.

Advantages:

Automation-compatible

High clamping forces

Rapid clamping

High rigidity

Drawing reference:

1) Swivel travel

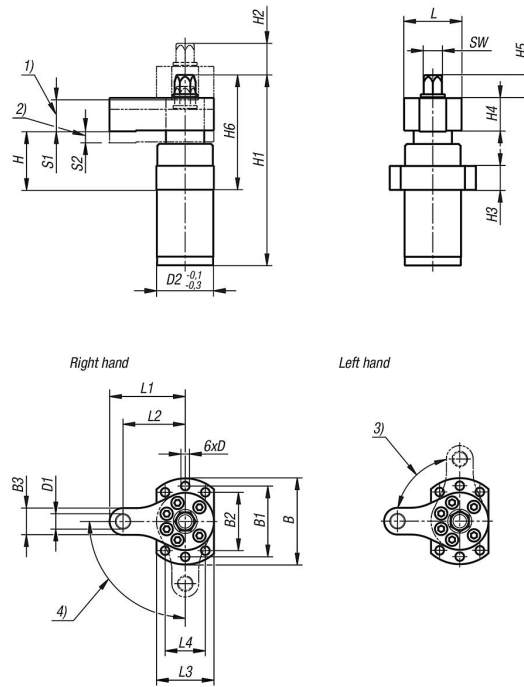
2) Clamping travel

3) Left swinging

4) Right swinging

04364-15 Swing clamps, heavy duty, extended clamping travel, with collar automation compatible

Drawings



Overview of items

Order No.	Version 1	B	B1	B2	B3	D	D1	D2	H	H1	H2	H3	H4	H5	H6	L	L1	L2	L3	L4	S1	S2	SW	Clamping force kN	Tightening torque max. Nm
04364-15-00601	swivel to the left	70	58	44	22	6,6	M12	49	50	168	25	20	30	24	104	50	66	55	50	38	25	10	19	6	25
04364-15-10601	swivel to the right	70	58	44	22	6,6	M12	49	50	168	25	20	30	24	104	50	66	55	50	38	25	10	19	6	25
04364-15-01001	swivel to the left	90	74	61	28	9	M16	59	61	199	33	25	35	24	120	60	79	65	60	42	33	12	19	10	35
04364-15-11001	swivel to the right	90	74	61	28	9	M16	59	61	199	33	25	35	24	120	60	79	65	60	42	33	12	19	10	35