

## Item description/product images



## Description

**Material:**

Steel or stainless steel 1.4301.

**Version:**

Steel trivalent blue passivated.

Stainless steel, bright.

**Note:**

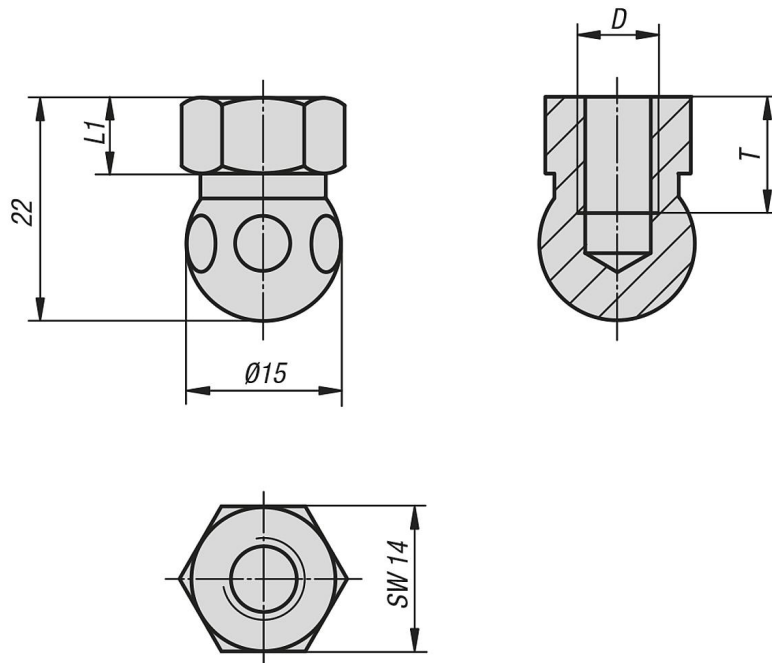
For fastening swivel feet with standard screws.

Swivel feet consist of a ball joint and a plate. Any ball joint can be combined with any plate.

The height of the complete swivel foot is calculated by the height of the hexagon + 22.5 mm.

(Overall height of swivel foot = L1 + 22.5 mm).

## Drawings



## Overview of items

Order No.	Main material	D	L1	T
27811-061	steel	M6	7,5	10
27811-062	stainless steel	M6	7,5	10

## Overview of items

Order No.	Main material	D	L1	T
27811-081	steel	M8	7,5	10
27811-082	stainless steel	M8	7,5	10