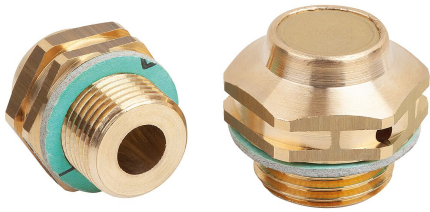


Item description/product images



Description

Material:

Housing and cap brass.

Air filter electro zinc-plated steel wire mesh.

Version:

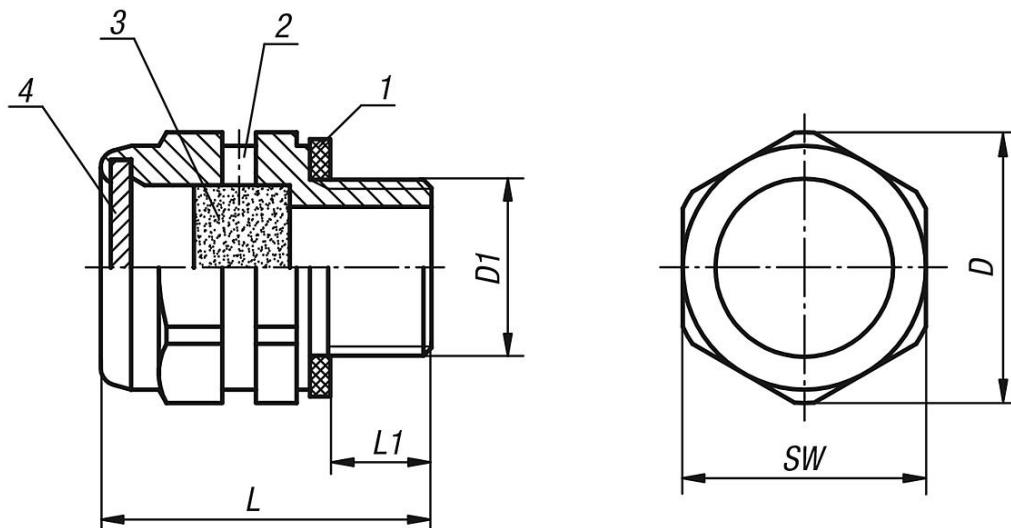
Air filter mesh 50 - 60 μm .

Flat seal asbestos-free.

Drawing reference:

- 1) flat seal
- 2) vent hole 2x
- 3) air filter
- 4) cap

Drawings



Overview of items

Order No.	D	D1	L	L1	SW
28040-20014	20	G1/4	24,5	7,5	18
28040-24038	24,5	G3/8	24,5	8,5	22
28040-30012	30	G1/2	24,5	8,5	27