

Item description/product images



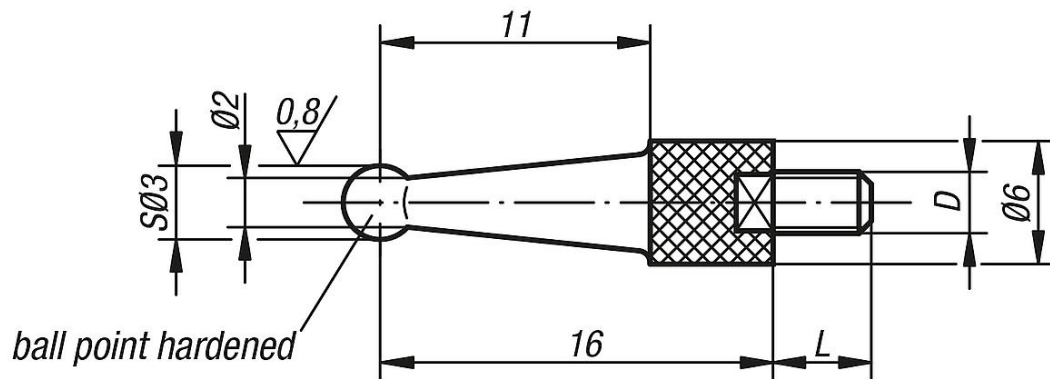
Description

Material:
Tool steel.

Version:
Hardened, black oxidised.

Note:
Dial gauges see 32540 and 32542.

Drawings



Overview of items

Order No.	D	L
33042-025016	M2,5	5
33042-040016	M4	5