

## Item description/product images

**Description****Product description:**

Conventional PVC sealing profiles for insertion into sealing ducts, slots or U-profiles.

The lip profiles reliably seal and protect the components from external influences.

**Material:**

PVC.

**Version:**

black.

**Note:**

Shore 57A  $\pm$  5.

Observe tolerances acc. to DIN 16941.

**Application:**

- Switchbox construction
- Machine and plant construction
- Automotive industry
- Construction and window fabrication

**Assembly:**

Quick, simple and smooth installation. When pressed in by hand, the lip profile jams into a gap or channel between two faces.

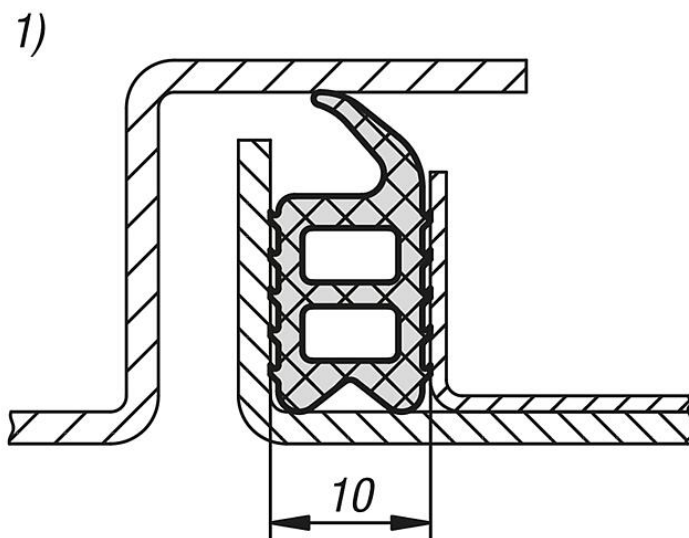
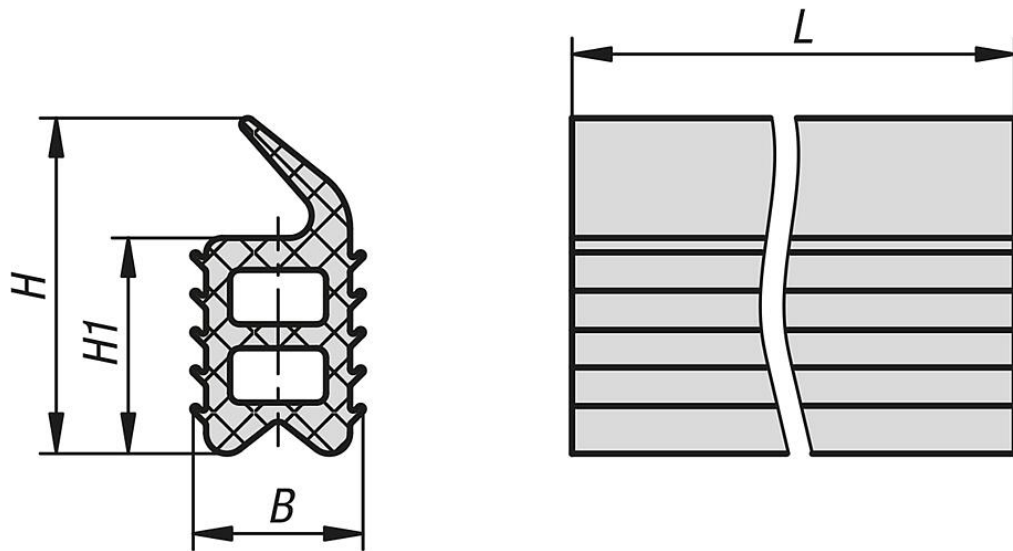
**On request:**

Other lengths.

**Drawing reference:**

1) Clamping range

## Drawings



## Overview of items

Order No.	B	H	H1	L	Clamping range mm
96523-02-0170X2000	11	17	9,5	2000	10
96523-02-0170X5000	11	17	9,5	5000	10
96523-02-0170X10000	11	17	9,5	10000	10
96523-02-0170X20000	11	17	9,5	20000	10
96523-02-0195X2000	11	19,5	11,5	2000	10
96523-02-0195X5000	11	19,5	11,5	5000	10
96523-02-0195X10000	11	19,5	11,5	10000	10
96523-02-0195X20000	11	19,5	11,5	20000	10
96523-02-0215X2000	11	21,5	13,5	2000	10
96523-02-0215X5000	11	21,5	13,5	5000	10
96523-02-0215X10000	11	21,5	13,5	10000	10
96523-02-0215X20000	11	21,5	13,5	20000	10
96523-02-0275X2000	11	27,5	19,5	2000	10

## Overview of items

Order No.	B	H	H1	L	Clamping range mm
96523-02-0275X5000	11	27,5	19,5	5000	10
96523-02-0275X10000	11	27,5	19,5	10000	10
96523-02-0275X20000	11	27,5	19,5	20000	10