

Item description/product images



for electrics



Description

**Note:**

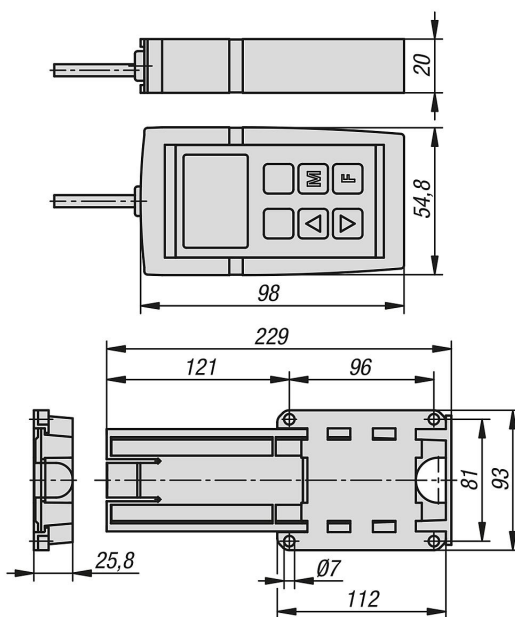
Hand switch to operate the control 85300-10-90 and adjust lifting columns 85300. Lifting columns 85300 are operated intuitively using the hand switch with display (85300-15-1). Intermediate positions can also be stored and switched between different users.

The hand switches can be fixed to a table using hand switch drawer 85300-15-91.

**Accessory:**

Hand switch drawer 85300-15-91

Drawings



## Overview of items

Order No.	Item	Version 1	Function keys
85300-15-1	Hand switch	with display	6
85300-15-91	Hand switch drawer	-	-