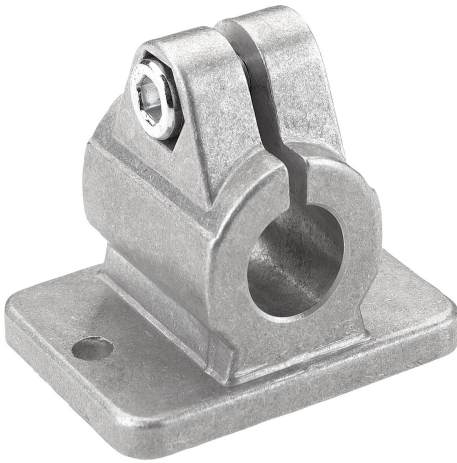


Item description/product images

INCH
Parts**Description****Material:**

Cast aluminium.
DIN 7984 screws and DIN 985 nuts, steel.

Version:

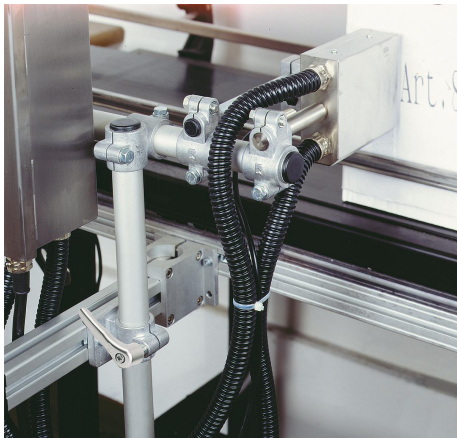
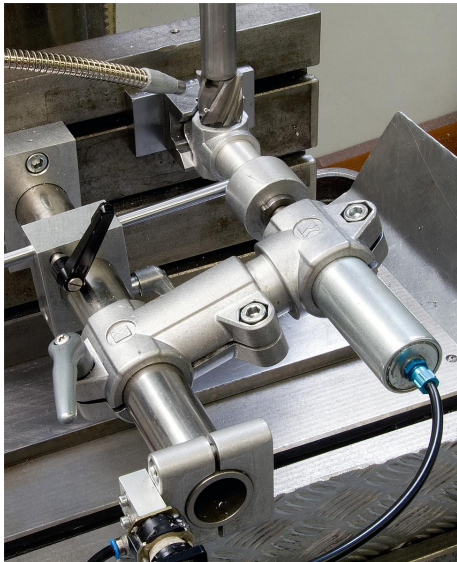
Vibratory ground.
Screws and nuts electro zinc-plated.

Note:

The dimensions for A are in inches, all other dimensions are in mm.

On request:

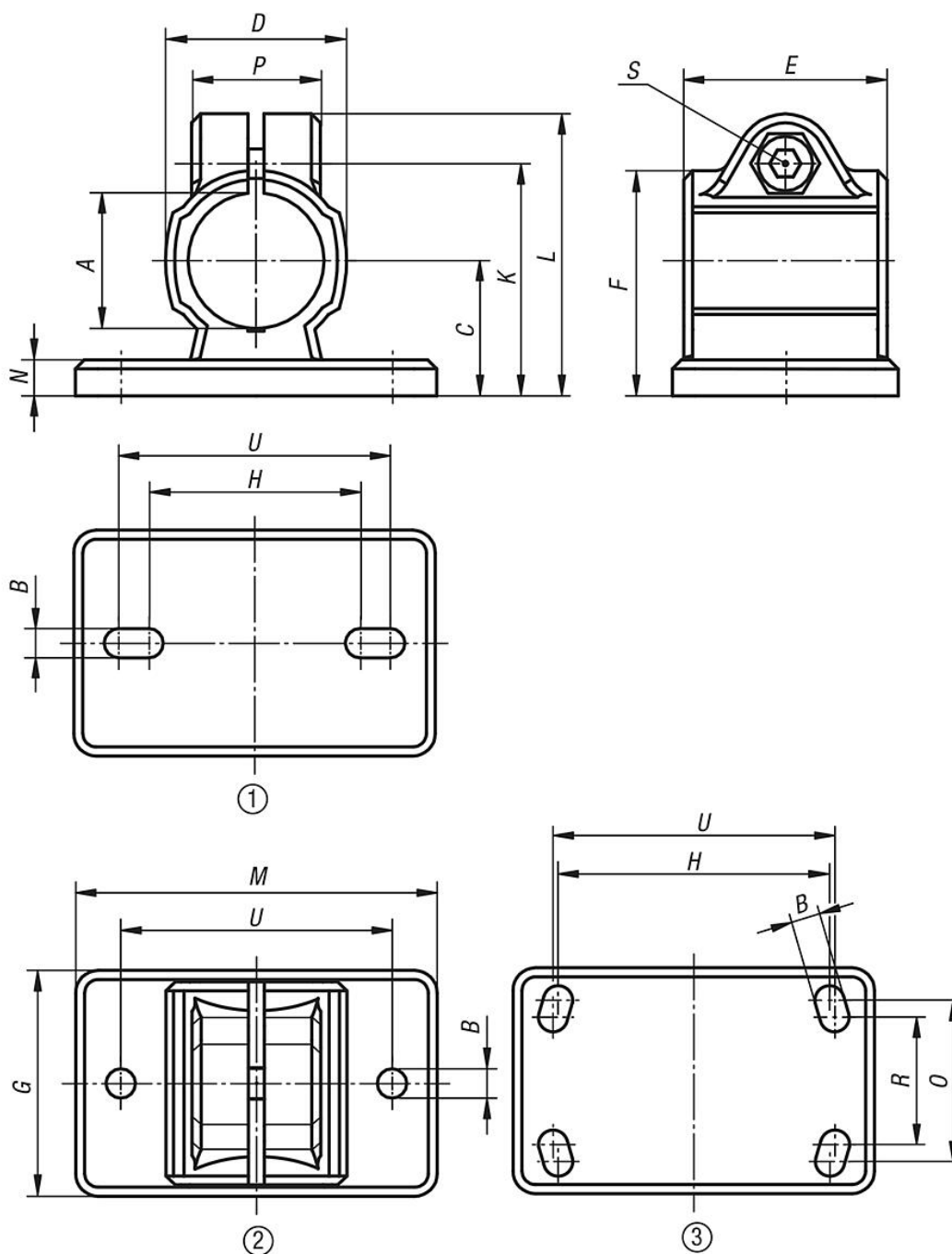
Clamping levers for tightening.



Item description/product images



Drawings



Overview of items

Order No.	hole arrangement	A	B	C	D	E	F	G	H	K	L	M	N	O	P	R	S	U
29014-5CP	1	0.5	6	18	25	35	31	35	38	32,5	41	50	5	-	23	-	M6x20	40
29014-5CR	1	0.75	6	18	25	35	31	35	38	32,5	41	50	5	-	23	-	M6x20	40
29014-5CS	1	1	7	30	40	40	50	55	53	53	63	78	7	-	33	-	M8x25	60
29014-5CT	1	1.25	7	30	40	40	50	55	53	53	63	78	7	-	33	-	M8x25	60
29014-5D2	3	1.5	9	42	56	60	70	80	80	74	87	105	10	60	40	52	M10x30	82
29014-5D4	3	2	11	50	66	65	83	90	98	85	98	128	14	62	45	60	M10x35	100

