

Item description/product images

**Description****Material:**

Steel.

Version:

Surface: hard chromed

Note:

Torque wrench 40-200 set:

Precision +/- 3% of the scale value (in direction of actuation)

(5107-3 CT +/- 4% release precision)

Secure: - haptic (short path trip)

- acoustic (snap element)

Designed for rough workshop use.

Broad spectrum of use for controlled screw tightening. Applications in industry and trades.

Optimised sealing ring for protection from foreign matter.

Ratchet repair set for customer-oriented self-assembly permits use for decades.

Handle with anti-roll for easier power transmission through more grip.

Adjustment aid through indexing points for optimised operator guidance guarantees secure and fast setting of the desired torque value by turning the handle.

Secure locking of the setting values through detent on the swivel head.

Lock symbols signal the respective locking condition.

Possibility to fasten rope loop through openings on the locking mechanism swivel head.

Easily readable, contrast-rich scale.

Permanent readability through laser labelling of the scale sleeve.

Integrated switch lever.

Certified acc. to DIN EN ISO 6789-2:2017.

With calibration certificate and serial number.

Supplied in stable hexagonal hinged box.

Square acc. to DIN 3120, ISO 1174-1, DIN EN ISO 6789-2:2017.

Key insert (hex):

With knurling

Surface: chrome-plated, polished

DIN 3124, ISO 2725-1

Recommendation:

Annual check interval for torque wrenches, in which the upper limit is 5,000 load cycles.

Function:

Operating principle of torque wrench

Unlock.

Press handle ca. 8 mm forward and rotate in the desired direction.

Continue to turn handle to set the desired torque.

Turn the handle backwards a little.

Lock.

Supplied with:

Set comprising:

Torque wrench

Key insert SW17

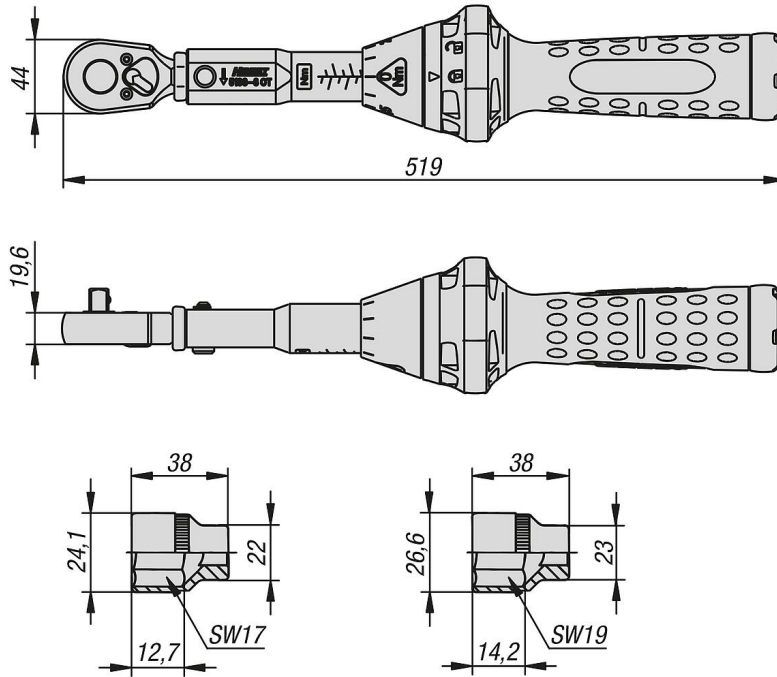
Key insert SW19

Item description/product images

Suitable for:

- 3 Axis clamping system
- 5 Axis clamping system
- 5 Axis Clamping system compact

Drawings



Overview of items

Order No.	Item	Version 1	Product type	Torque Nm
96662-01-01	Torque Wrench	set	revolving grip	40 - 200