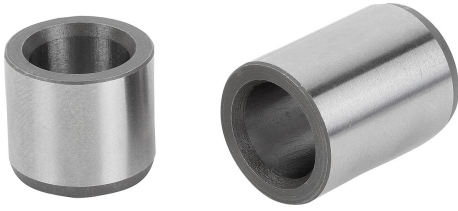


Item description/product images

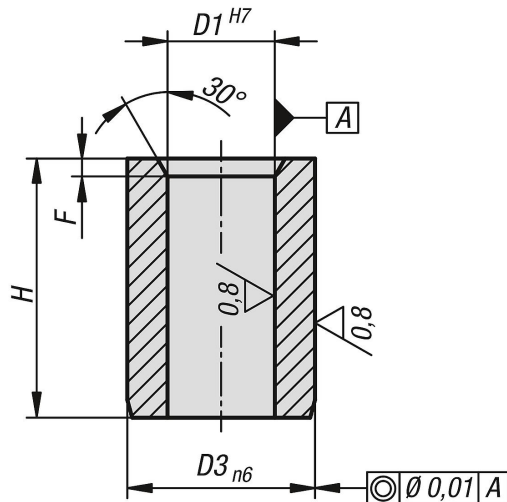


Description

Material:
Steel.

Version:
Hardened and ground (HRC 60 ±2).

Drawings



Overview of items

| Order No. | Version 1 | D1 | D3 | F | H |
|------------|-----------|----|----|-----|----|
| 02026-0508 | short | 5 | 8 | 1 | 8 |
| 02026-0610 | short | 6 | 10 | 1 | 10 |
| 02026-0812 | short | 8 | 12 | 1,2 | 12 |
| 02026-1014 | short | 10 | 15 | 1,5 | 14 |
| 02026-1216 | short | 12 | 18 | 1,5 | 16 |
| 02026-1620 | short | 16 | 26 | 1,5 | 20 |
| 02026-2026 | short | 20 | 30 | 2,5 | 26 |
| 02026-0510 | long | 5 | 8 | 1 | 10 |
| 02026-0612 | long | 6 | 10 | 1 | 12 |
| 02026-0818 | long | 8 | 12 | 1,2 | 18 |
| 02026-1022 | long | 10 | 15 | 1,5 | 22 |
| 02026-1224 | long | 12 | 18 | 1,5 | 24 |
| 02026-1630 | long | 16 | 26 | 1,5 | 30 |
| 02026-2036 | long | 20 | 30 | 2,5 | 36 |