

## Description

### Product description:

Quarter-turn clamp locks are used for replacing and locking fixtures or hatches quickly and easily. Toolless clamping shortens setup times.

### Material:

Housing stainless steel.  
Pin stainless steel.  
Pin stainless steel.  
Knob stainless steel.

### Version:

Housing bright.  
Pin bright.  
Pin bright.  
Knob stainless steel, bright.

### Note:

Stainless steel fastening screws M2 or M3 are included.  
Mounting option 1 for plate thickness 6 mm.  
Mounting option 2 for plate thickness > 6 to 14 mm.

### Type of operation:

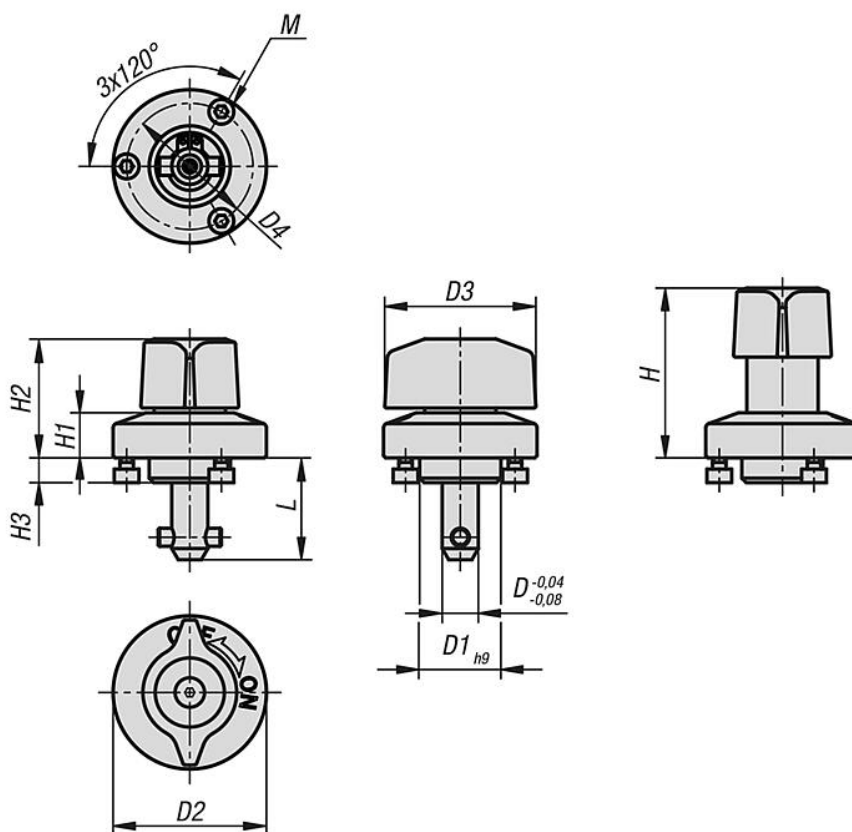
Check that the rotary knob is in the "OFF" position and that the pin is retracted. Push or place the quarter-turn clamp lock over the premounted clamping plate. Press the rotary knob down and turn to the "ON" position. When fully clamped, a click sound is heard.

### Accessory:

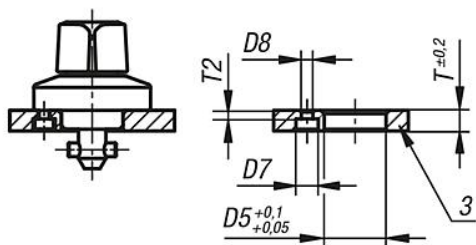
Clamping plates 05592

### Drawing reference:

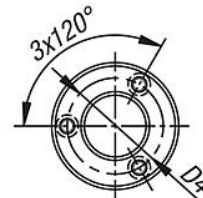
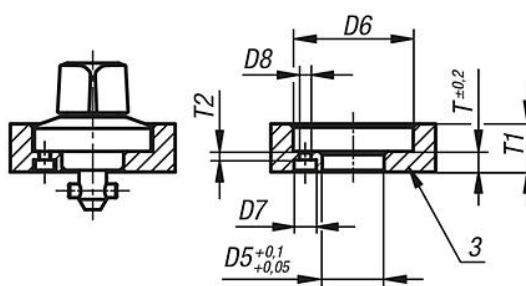
- 1) Mounting option 1
- 2) Mounting option 2
- 3) Plate



①



②



Overview of items

Order No.	Component material	Version 2	D	L	D1	D2	D3	D4	H	H1	H2	H3	M	D5	D6	D7	D8	T	T1	T2	Clamping force N	Shearing force kN	Pullout force F kN	Temperature resistance
05591-05-1516	stainless steel	pin stainless steel	5	15,5	14	25	25	21	30	6,5	20	5,5	M2x3	14	26	4,4	2,4	66	10	2,5	60	1,8	1,2	≤200 °C
05591-05-1817	stainless steel	pin stainless steel	8	17	18	34	34	28	38	10	26,5	5,5	M3x4	18	35	6,5	3,4	66	14	2,5	90	3,2	0,4	≤200 °C

