

Item description/product images



Description

Material:

Quarter-turn lock 1.4401 stainless steel.
Tongue 1.4301 stainless steel.

Version:

Bright.

Note:

The lock can be installed pre-assembled and has a 90° closing angle.
It is protected against water and dust according to IP65 of EN 60529.

Drawing reference:

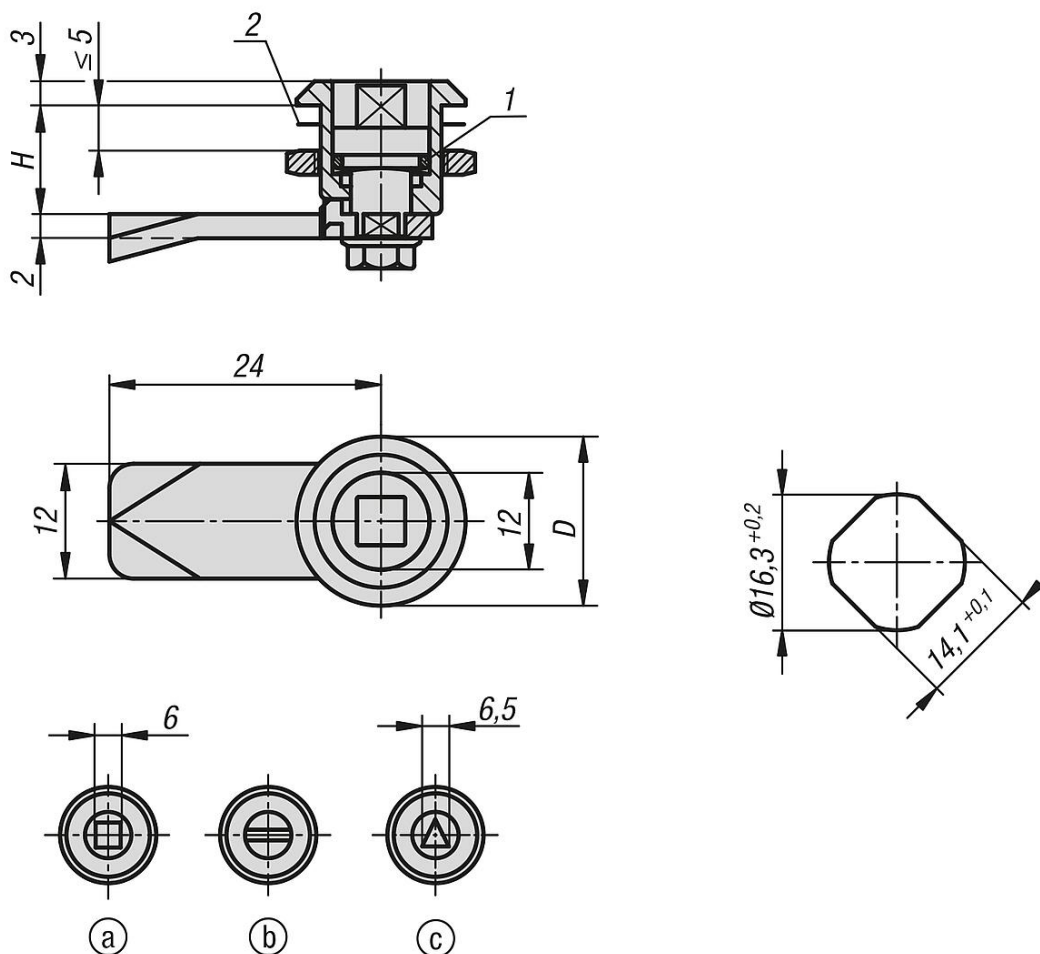
Actuation:

- a) square 6 mm
- b) slit
- c) triangle 6.5 mm

1) O-ring

2) flat seal

Drawings



Overview of items

Order No.	Actuation	D	H	S max.
05561-02-1613	square 6 mm	20	13,5	5
05561-02-2013	slot	20	13,5	5
05561-02-8613	triangle 6.5 mm	20	13,5	5